

Parts List

Ref	Var	IPN	Description
C100		015-24100-05	Cap Cer 0805 1N 100V 5% COG
C101		015-24100-05	Cap Cer 0805 1N 100V 5% COG
C102		015-24100-05	Cap Cer 0805 1N 100V 5% COG
C103		015-26100-08	Cap Cer 0805 100n 10% X7r 50v
C201		018-15470-00	Cap 0603 47n 16v X7r±10%
C202		015-07470-20	CAP Cer 1206 4u7 10% 25V X7R
C203		018-16100-00	Cap 0603 100n 16v x7r + - 10%
C204		018-16100-00	Cap 0603 100n 16v x7r + - 10%
C206		018-13680-00	Cap 0603 680p 50v X7r±10%
C207		015-07220-08	Cap Cer 1206 2u2 16v X7r
C208		018-13680-00	Cap 0603 680p 50v X7r±10%
C209		018-16100-00	Cap 0603 100n 16v x7r + - 10%
C210		018-12680-10	Cap 0603 68p 50v NPO ±1%
C211		018-16100-00	Cap 0603 100n 16v x7r + - 10%
C212		014-07470-05	Cap Tant SMD 4u7 16v 10% A
C213		018-16100-00	Cap 0603 100n 16v x7r + - 10%
C214		018-16100-00	Cap 0603 100n 16v x7r + - 10%
C215		018-16100-00	Cap 0603 100n 16v x7r + - 10%
C216		018-16100-00	Cap 0603 100n 16v x7r + - 10%
C217		018-16100-00	Cap 0603 100n 16v x7r + - 10%
C218		018-14100-00	Cap 0603 1n 50v X7r ±10%
C219		018-16100-00	Cap 0603 100n 16v x7r + - 10%
C220		018-16100-00	Cap 0603 100n 16v x7r + - 10%
C221		018-16100-00	Cap 0603 100n 16v x7r + - 10%
C222		018-13100-10	Cap 0603 100p 50v NPO±1%
C223		018-16100-00	Cap 0603 100n 16v x7r + - 10%
C224		015-27100-10	Cap Cer 0805 1m+80-20% Y5v 16v
C225		018-16100-00	Cap 0603 100n 16v x7r + - 10%
C226		018-16100-00	Cap 0603 100n 16v x7r + - 10%
C227		018-16100-00	Cap 0603 100n 16v x7r + - 10%
C228		015-26100-08	Cap Cer 0805 100n 10% X7r 50v
C231		015-27100-08	Cap Cer 0805 X7R 1uF 16V 10%
C232		015-27100-08	Cap Cer 0805 X7R 1uF 16V 10%
C3003		016-08100-03	Cap Elec SMD 10uF 35V 105/2000
C3017		015-02680-07	Cap Cer 1111 68p 5% 500v C17cf
C3018		015-02680-07	Cap Cer 1111 68p 5% 500v C17cf
C3019		018-16100-00	Cap 0603 100n 16v x7r + - 10%
C3035		018-14100-00	Cap 0603 1n 50v X7r ±10%
C305		018-16100-00	Cap 0603 100n 16v x7r + - 10%
C3063		018-13150-00	Cap 0603 150p 50v NPO ±5%
C3066		015-22560-05	Cap 0805 56p 1% 200v
C3068		015-22560-05	Cap 0805 56p 1% 200v
C307		018-14100-00	Cap 0603 1n 50v X7r ±10%
C308		018-13470-00	Cap 0603 470p 50v X7r±10%
C310		018-14100-00	Cap 0603 1n 50v X7r ±10%
C311		018-13270-00	Cap 0603 270p 50v NPO±5%
C315		018-13150-00	Cap 0603 150p 50v NPO ±5%
C318		015-24100-08	Cap Cer 0805 1n 10% X7r 50v
C319		018-12100-10	Cap 0603 10p 50v NPO±0.1
C322		018-14100-00	Cap 0603 1n 50v X7r ±10%
C323		018-16100-00	Cap 0603 100n 16v x7r + - 10%
C324		018-13470-00	Cap 0603 470p 50v X7r±10%
C325		015-24100-08	Cap Cer 0805 100n 10% X7r 50v
C326		015-24100-08	Cap Cer 0805 1n 10% X7r 50v
C327		015-24100-08	Cap Cer 0805 1n 10% X7r 50v
C335		018-13150-00	Cap 0603 150p 50v NPO ±5%
C337		015-24100-08	Cap Cer 0805 1n 10% X7r 50v
C338		018-14100-00	Cap 0603 1n 50v X7r ±10%
C339		018-14100-00	Cap 0603 1n 50v X7r ±10%
C340		018-14100-00	Cap 0603 1n 50v X7r ±10%
C341		018-13220-00	Cap 0603 220p 50v NPO±5%
C342		018-13220-00	Cap 0603 220p 50v NPO±5%
C343		018-13220-00	Cap 0603 220p 50v NPO±5%
C344		018-13220-00	Cap 0603 220p 50v NPO±5%
C346		018-14100-00	Cap 0603 1n 50v X7r ±10%
C347		018-14100-00	Cap 0603 1n 50v X7r ±10%
C348		015-24100-08	Cap Cer 0805 1n 10% X7r 50v
C349		015-24100-08	Cap Cer 0805 1n 10% X7r 50v
C3500		018-14100-00	Cap 0603 1n 50v X7r ±10%
C3503		018-14100-00	Cap 0603 1n 50v X7r ±10%
C3504		018-14100-00	Cap 0603 1n 50v X7r ±10%
C3505		018-14100-00	Cap 0603 1n 50v X7r ±10%
C3509		018-12180-10	Cap 0603 18p 50v NPO ±1%
C350		015-24100-08	Cap Cer 0805 1n 10% X7r 50v
C3510		018-14100-00	Cap 0603 1n 50v X7r ±10%
C3511		018-16100-00	Cap 0603 100n 16v x7r + - 10%
C3512		018-14100-00	Cap 0603 1n 50v X7r ±10%

Ref	Var	IPN	Description
C3513		018-14100-00	Cap 0603 1n 50v X7r ±10%
C3514		018-14100-00	Cap 0603 1n 50v X7r ±10%
C3515		018-16100-00	Cap 0603 100n 16v x7r + - 10%
C3516		018-16100-00	Cap 0603 100n 16v x7r + - 10%
C3517		018-14100-00	Cap 0603 1n 50v X7r ±10%
C3518		015-03150-07	Cap Cer 1111 150p 5% 300VC17CF
C3519		015-03150-07	Cap Cer 1111 150p 5% 300VC17CF
C3520		015-03100-07	Cap Cer 1111 100p 5% 500VC17CF
C3521		015-03100-07	Cap Cer 1111 100p 5% 500VC17CF
C3522		015-02820-07	Cap Cer 1111 82p 5% 500v C17cf
C3523		015-02820-07	Cap Cer 1111 82p 5% 500v C17cf
C3524		015-02470-07	Cap Cer 1111 47P 5% 500V C17CF
C3525		015-02470-07	Cap Cer 1111 47P 5% 500V C17CF
C3526		015-21390-02	Cap 0805 3p9 +/-0.1p NPO 50v
C3527		015-21390-02	Cap 0805 3p9 +/-0.1p NPO 50v
C3528		015-21390-02	Cap 0805 3p9 +/-0.1p NPO 50v
C3529		015-21390-02	Cap 0805 3p9 +/-0.1p NPO 50v
C3530		015-21680-05	Cap Cer 0805 6p8+-0.1pf 200v
C3531		015-21680-05	Cap Cer 0805 6p8+-0.1pf 200v
C3532		015-21470-05	Cap Cer 0805 4p7+-0.1pf 200v
C3533		015-21120-05	Cap Cer 0805 1p2 +0.1pf 2
C3534		015-21150-05	Cap Cer 0805 1p5 +0.1pf 200v
C3535		015-21470-05	Cap Cer 0805 4p7+-0.1pf 200v
C3536		015-21330-05	Cap Cer 0805 3p3+-0.1pf 200v
C3537		015-21330-05	Cap Cer 0805 3p3+-0.1pf 200v
C353		015-22150-05	Cap 0805 15p 1% 200v
C3540		018-14101-00	Cap 0603 1n 50v NPO ±5%
C3541		018-12220-10	Cap 0603 22p 50v NPO ±1%
C3542		018-12220-10	Cap 0603 22p 50v NPO ±1%
C3543		018-12270-10	Cap 0603 27p 50v NPO ±1%
C3545		015-02220-07	Cap Cer 1111 22p 5% 500v C17CF
C354		015-22150-05	Cap 0805 15p 1% 200v
C3551		015-21270-01	Cap Cer 0805 2p7+-0.25 NPO 50v
C3553		015-21330-05	Cap Cer 0805 3p3+-0.1pf 200v
C355		015-22150-05	Cap 0805 15p 1% 200v
C356		018-14100-00	Cap 0603 1n 50v X7r ±10%
C357		018-14100-00	Cap 0603 1n 50v X7r ±10%
C358		018-12100-10	Cap 0603 10p 50v NPO±0.1
C359		018-14100-00	Cap 0603 1n 50v X7r ±10%
C361		015-22150-05	Cap 0805 15p 1% 200v
C362		015-22150-05	Cap 0805 15p 1% 200v
C363		015-22150-05	Cap 0805 15p 1% 200v
C365		018-14100-00	Cap 0603 1n 50v X7r ±10%
C388		018-14470-00	Cap 0603 4n7 50v X7r±10%
C390		018-14100-00	Cap 0603 1n 50v X7r ±10%
C391		018-16100-00	Cap 0603 100n 16v x7r + - 10%
C392		018-16100-00	Cap 0603 100n 16v x7r + - 10%
C393		018-16100-00	Cap 0603 100n 16v x7r + - 10%
C394		018-15470-00	Cap 0603 47n 16v X7r±10%
C4000		018-15100-00	Cap 0603 10n 50v X7r ±10%
C4002		018-12100-10	Cap 0603 10p 50v NPO±0.1
C4003		018-16100-00	Cap 0603 100n 16v x7r + - 10%
C4005		018-12100-10	Cap 0603 10p 50v NPO±0.1
C4006		018-14100-00	Cap 0603 1n 50v X7r ±10%
C4007		018-14100-00	Cap 0603 1n 50v X7r ±10%
C4008		018-14100-00	Cap 0603 1n 50v X7r ±10%
C4009		018-11100-10	Cap 0603 1p0 50v NPO±0.1p
C400		018-12100-10	Cap 0603 10p 50v NPO±0.1
C4010		018-12470-10	Cap 0603 47p 50v NPO ±1%
C4011		018-13220-00	Cap 0603 220p 50v NPO±5%
C4012		018-16100-00	Cap 0603 100n 16v x7r + - 10%
C4015		018-13270-00	Cap 0603 270p 50v NPO±5%
C4016		018-15470-00	Cap 0603 47n 16v X7r±10%
C4017		018-13100-10	Cap 0603 100p 50v NPO±1%
C401		018-12180-10	Cap 0603 18p 50v NPO ±1%
C4030		018-14100-00	Cap 0603 1n 50v X7r ±10%
C403		018-13150-00	Cap 0603 150p 50v NPO ±5%
C404		018-15100-00	Cap 0603 10n 50v X7r ±10%
C405		018-12100-10	Cap 0603 10p 50v NPO±0.1
C408		018-13120-10	Cap 0603 120p 50v NPO±1%
C409		018-15100-00	Cap 0603 10n 50v X7r ±10%
C410		018-16100-00	Cap 0603 100n 16v x7r + - 10%
C411		018-15100-00	Cap 0603 10n 50v X7r ±10%
C412		018-16100-00	Cap 0603 100n 16v x7r + - 10%
C413		018-14100-00	Cap 0603 1n 50v X7r ±10%
C414		018-12270-10	Cap 0603 27p 50v NPO ±1%
C415		018-15150-00	Cap 0603 15n 50v X7r ±10%

Ref	Var	IPN	Description
C416		018-12820-10	Cap 0603 82p 50v NPO ±1%
C417		018-16100-00	Cap 0603 100n 16v x7r + - 10%
C418		018-16100-00	Cap 0603 100n 16v x7r + - 10%
C419		018-16100-00	Cap 0603 100n 16v x7r + - 10%
C420		018-11820-10	Cap 0603 8p2 50v NPO±0.1p
C421		018-15100-00	Cap 0603 10n 50v X7r ±10%
C422		018-12150-10	Cap 0603 15p 50v NPO ±1%
C423		018-15100-00	Cap 0603 10n 50v X7r ±10%
C424		018-11820-10	Cap 0603 8p2 50v NPO±0.1p
C425		018-12180-10	Cap 0603 18p 50v NPO ±1%
C426		018-16100-00	Cap 0603 100n 16v x7r + - 10%
C427		018-13180-00	Cap 0603 180p 50v NPO±5%
C428		018-13220-00	Cap 0603 220p 50v NPO±5%
C429		018-13150-00	Cap 0603 150p 50v NPO ±5%
C430		018-16100-00	Cap 0603 100n 16v x7r + - 10%
C431		018-16100-00	Cap 0603 100n 16v x7r + - 10%
C433		018-11390-10	Cap 0603 3p9 50v NPO±0.1p
C434		018-15100-00	Cap 0603 10n 50v X7r ±10%
C435		018-13150-00	Cap 0603 150p 50v NPO ±5%
C436		018-12120-10	Cap 0603 12p 50v NPO ±1%
C438		018-11820-10	Cap 0603 8p2 50v NPO±0.1p
C439		018-12150-10	Cap 0603 15p 50v NPO ±1%
C440		018-15100-00	Cap 0603 10n 50v X7r ±10%
C441		018-11820-10	Cap 0603 8p2 50v NPO±0.1p
C442		018-12270-10	Cap 0603 27p 50v NPO ±1%
C443		018-12270-10	Cap 0603 27p 50v NPO ±1%
C444		018-15100-00	Cap 0603 10n 50v X7r ±10%
C445		018-15100-00	Cap 0603 10n 50v X7r ±10%
C446		018-15100-00	Cap 0603 10n 50v X7r ±10%
C448		018-13100-10	Cap 0603 100p 50v NPO±1%
C449		018-15100-00	Cap 0603 10n 50v X7r ±10%
C450		018-13100-10	Cap 0603 100p 50v NPO±1%
C451		018-12560-10	Cap 0603 56p 50v NPO ±1%
C453		018-12560-10	Cap 0603 56p 50v NPO ±1%
C454		018-13180-00	Cap 0603 180p 50v NPO±5%
C455		018-15100-00	Cap 0603 10n 50v X7r ±10%
C456		018-11680-10	Cap 0603 6p8 50v NPO±0.1p
C457		018-16100-00	Cap 0603 100n 16v x7r + - 10%
C458		018-16100-00	Cap 0603 100n 16v x7r + - 10%
C459		018-16100-00	Cap 0603 100n 16v x7r + - 10%
C460		018-16100-00	Cap 0603 100n 16v x7r + - 10%
C461		018-15100-00	Cap 0603 10n 50v X7r ±10%
C462		018-11560-10	Cap 0603 5p6 50v NPO±0.1p
C463		018-16100-00	Cap 0603 100n 16v x7r + - 10%
C464		018-13150-00	Cap 0603 150p 50v NPO ±5%
C465		018-13150-00	Cap 0603 150p 50v NPO ±5%
C466		018-13270-00	Cap 0603 270p 50v NPO±5%
C467		018-12100-10	Cap 0603 10p 50v NPO±0.1
C468			

Parts List

Ref	Var	IPN	Description
C507		018-15100-00	Cap 0603 10n 50v X7r ±10%
C508		018-13150-00	Cap 0603 150p 50v NPO ±5%
C509		018-15100-00	Cap 0603 10n 50v X7r ±10%
C510		018-15100-00	Cap 0603 10n 50v X7r ±10%
C511		018-12390-10	Cap 0603 39p 50v NPO ±1%
C512		018-12120-10	Cap 0603 12p 50v NPO ±1%
C513		018-13150-00	Cap 0603 150p 50v NPO ±5%
C514		018-12470-10	Cap 0603 47p 50v NPO ±1%
C516		018-16100-00	Cap 0603 100n 16v x7r + - 10%
C517		018-16100-00	Cap 0603 100n 16v x7r + - 10%
C518		018-12100-10	Cap 0603 10p 50v NPO±0.1
C519		018-13150-00	Cap 0603 150p 50v NPO ±5%
C520		018-52220-02	Cap 0603 22p 50v Ntc ±2% T2h
C522		018-12270-10	Cap 0603 27p 50v NPO ±1%
C523		018-12270-10	Cap 0603 27p 50v NPO ±1%
C524		018-12150-10	Cap 0603 15p 50v NPO ±1%
C525		018-13150-00	Cap 0603 150p 50v NPO ±5%
C526		018-15100-00	Cap 0603 10n 50v X7r ±10%
C527		018-15330-00	Cap 0603 33n 50v X7r10%
C528		018-16100-00	Cap 0603 100n 16v x7r + - 10%
C529		018-16100-00	Cap 0603 100n 16v x7r + - 10%
C530		018-15100-00	Cap 0603 10n 50v X7r ±10%
C531		015-07470-20	CAP Cer 1206 4u7 10% 25V X7R
C532		018-12330-10	Cap 0603 33p 50v NPO ±1%
C533		018-16100-00	Cap 0603 100n 16v x7r + - 10%
C534		018-13330-00	Cap 0603 330p 50v X7r±10%
C535		018-16100-00	Cap 0603 100n 16v x7r + - 10%
C536		018-15100-00	Cap 0603 10n 50v X7r ±10%
C537		018-14100-00	Cap 0603 1n 50v X7r ±10%
C538		018-16100-00	Cap 0603 100n 16v x7r + - 10%
C539		018-16100-00	Cap 0603 100n 16v x7r + - 10%
C540		018-16100-00	Cap 0603 100n 16v x7r + - 10%
C541		018-15100-00	Cap 0603 10n 50v X7r ±10%
C542		018-16100-00	Cap 0603 100n 16v x7r + - 10%
C543		018-16100-00	Cap 0603 100n 16v x7r + - 10%
C544		015-27100-08	Cap Cer 0805 X7R 1uF 16V 10%
C545		018-12180-10	Cap 0603 18p 50v NPO ±1%
C546		018-16100-00	Cap 0603 100n 16v x7r + - 10%
C548		013-16470-65	Cap SMD PPS 470n 50v 5% 4036
C549		018-12150-10	Cap 0603 15p 50v NPO ±1%
C550		015-07470-20	CAP Cer 1206 4u7 10% 25V X7R
C551		018-13150-00	Cap 0603 150p 50v NPO ±5%
C554		018-12180-10	Cap 0603 18p 50v NPO ±1%
C555		018-15150-00	Cap 0603 15n 50v X7r ±10%
C556		018-13150-00	Cap 0603 150p 50v NPO ±5%
C558		018-13150-00	Cap 0603 150p 50v NPO ±5%
C562		018-13150-00	Cap 0603 150p 50v NPO ±5%
C565		015-06100-01	Cap Cer 1206 100n 5% C0G 25V
C566		018-13150-00	Cap 0603 150p 50v NPO ±5%
C579		015-07470-20	CAP Cer 1206 4u7 10% 25V X7R
C583		018-12150-10	Cap 0603 15p 50v NPO ±1%
C584		018-12120-10	Cap 0603 12p 50v NPO ±1%
C585		015-07470-20	CAP Cer 1206 4u7 10% 25V X7R
C587		018-12150-10	Cap 0603 15p 50v NPO ±1%
C600		015-07220-35	Cap Cer 1210 2u2 X5R 35v
C601		018-16100-00	Cap 0603 100n 16v x7r + - 10%
C602		018-16100-00	Cap 0603 100n 16v x7r + - 10%
C603		018-16100-00	Cap 0603 100n 16v x7r + - 10%
C604		016-09100-07	Cap Elec SMD 100u 35v Loesr
C605		015-26100-08	Cap Cer 0805 100n 10% X7R 50v
C606		015-26100-08	Cap Cer 0805 100n 10% X7R 50v
C608		018-15100-00	Cap 0603 10n 50v X7r ±10%
C609		018-16100-00	Cap 0603 100n 16v x7r + - 10%
C610		018-16100-00	Cap 0603 100n 16v x7r + - 10%
C611		014-07470-05	Cap Tant SMD 4u7 16v 10% A
C613		014-08100-30	Cap Tant SMD 100u 10v Loesr D
C614		018-16100-00	Cap 0603 100n 16v x7r + - 10%
C615		018-16100-00	Cap 0603 100n 16v x7r + - 10%
C616		015-07220-08	Cap Cer 1206 2u2 16v X7r
C617		015-07220-08	Cap Cer 1206 2u2 16v X7r
C618		018-16100-00	Cap 0603 100n 16v x7r + - 10%
C619		018-16100-00	Cap 0603 100n 16v x7r + - 10%
C620		018-15100-00	Cap 0603 10n 50v X7r ±10%
C621		018-16100-00	Cap 0603 100n 16v x7r + - 10%
C622		018-16100-00	Cap 0603 100n 16v x7r + - 10%
C623		014-07470-10	Cap Tant SMD 4u7 10V 20% 0603
C700		018-13100-10	Cap 0603 100p 50v NPO±1%

Ref	Var	IPN	Description
C701		018-13100-10	Cap 0603 100p 50v NPO±1%
C702		018-13100-10	Cap 0603 100p 50v NPO±1%
C703		018-13100-10	Cap 0603 100p 50v NPO±1%
C704		018-14100-00	Cap 0603 1n 50v X7r ±10%
C705		018-14100-00	Cap 0603 1n 50v X7r ±10%
C706		018-15100-00	Cap 0603 10n 50v X7r ±10%
C707		018-16100-00	Cap 0603 100n 16v x7r + - 10%
C708		018-15100-00	Cap 0603 10n 50v X7r ±10%
C709		018-15100-00	Cap 0603 10n 50v X7r ±10%
C710		018-13470-00	Cap 0603 470p 50v X7r±10%
C711		018-13470-00	Cap 0603 470p 50v X7r±10%
C712		018-13470-00	Cap 0603 470p 50v X7r±10%
C713		018-13470-00	Cap 0603 470p 50v X7r±10%
C714		018-16100-00	Cap 0603 100n 16v x7r + - 10%
C715		015-26100-08	Cap Cer 0805 100n 10% X7r 50v
C717		018-16100-00	Cap 0603 100n 16v x7r + - 10%
C718		018-16100-00	Cap 0603 100n 16v x7r + - 10%
C719		018-15100-00	Cap 0603 10n 50v X7r ±10%
C720		018-15100-00	Cap 0603 10n 50v X7r ±10%
C721		018-15100-00	Cap 0603 10n 50v X7r ±10%
C722		018-16100-00	Cap 0603 100n 16v x7r + - 10%
C723		018-13470-00	Cap 0603 470p 50v X7r±10%
C724		018-13470-00	Cap 0603 470p 50v X7r±10%
C725		018-13470-00	Cap 0603 470p 50v X7r±10%
C726		018-13470-00	Cap 0603 470p 50v X7r±10%
C727		018-13470-00	Cap 0603 470p 50v X7r±10%
C728		018-13470-00	Cap 0603 470p 50v X7r±10%
C729		018-13470-00	Cap 0603 470p 50v X7r±10%
C730		018-13470-00	Cap 0603 470p 50v X7r±10%
C731		018-13470-00	Cap 0603 470p 50v X7r±10%
C732		018-13470-00	Cap 0603 470p 50v X7r±10%
C733		015-26100-08	Cap Cer 0805 100n 10% X7r 50v
CDC_BOT		319-01208-02	Shld Synth/lf T/Orca
CDC_TOP		319-01208-02	Shld Synth/lf T/Orca
D301		001-10099-01	Diode BAV99w Dual Ss
D303		001-10841-10	Diode SMD BZX84C11v ZEN SOT23
D304		001-10070-07	Diode BAS70-07w Dualsch SOT343
D305		001-10070-07	Diode BAS70-07w Dualsch SOT343
D307		001-10012-50	Diode SMD MA4P1250 Pin3x2mm
D310		001-10012-50	Diode SMD MA4P1250 Pin3x2mm
D311		001-10070-01	Diode BAV70W Dual Ss SOT323
D4000		001-10017-06	Diode SMD BAT17-06W SOT323
D4001		001-10017-06	Diode SMD BAT17-06W SOT323
D4002		001-10000-18	Diode SMD BAT18 S-Sw SOT23
D4003		001-10056-01	Diode BAW56W Dual Ss SOT323
D4004		001-11126-00	Diode BAW56W Dual Ss SOT323
D400		001-10099-01	Diode BAV99w Dual Ss
D401		001-10066-02	Diode SMD BBY66-02v Vcap Sc-79
D402		001-10066-02	Diode SMD BBY66-02v Vcap Sc-79
D403		001-10066-02	Diode SMD BBY66-02v Vcap Sc-79
D404		001-10066-02	Diode SMD BBY66-02v Vcap Sc-79
D405		001-10015-00	Diode SMD BAT15-099R Sch
D5000		001-10006-39	Diode SMD BB639 Vcap SOD323
D5001		001-10006-39	Diode SMD BB639 Vcap SOD323
D5002		001-10006-39	Diode SMD BB639 Vcap SOD323
D5003		001-10006-39	Diode SMD BB639 Vcap SOD323
D5004		001-10018-05	Diode BAT18-05 Dual Com Cat
D501		001-10015-30	Diode SMD Vcap BB153 SOD323
D502		001-10005-35	Diode SMD BB535 Vcap SOD323
D503		001-10099-01	Diode BAV99w Dual Ss
D600		001-10153-00	Diode SMD SM15T30a TranSII Smc
D601		001-10070-01	Diode BAV70W Dual Ss SOT323
D602		001-10054-02	Diode SMD BAT54AW SOT-323
D603		001-10070-01	Diode BAV70W Dual Ss SOT323
D604		001-10070-01	Diode BAV70W Dual Ss SOT323
D606		001-10014-03	Diode SMD MBR5140T3 Sch
D700		001-10099-01	Diode BAV99w Dual Ss
D701		001-10099-01	Diode BAV99w Dual Ss
D702		001-10099-01	Diode BAV99w Dual Ss
D703		001-10070-01	Diode BAV70W Dual Ss SOT323
D704		001-10084-33	Diode SMD BZX84C3V3 Zen SOT23
D705		001-10070-01	Diode BAV70W Dual Ss SOT323
D706		001-10070-01	Diode BAV70W Dual Ss SOT323
D707		001-10070-01	Diode BAV70W Dual Ss SOT323
D708		001-10070-01	Diode BAV70W Dual Ss SOT323
D709		001-10099-01	Diode BAV99w Dual Ss
D710		001-10070-01	Diode BAV70W Dual Ss SOT323

Ref	Var	IPN	Description
D711		001-10070-01	Diode BAV70W Dual Ss SOT323
D712		001-10099-01	Diode BAV99w Dual Ss
D713		001-10099-01	Diode BAV99w Dual Ss
D714		001-10099-01	Diode BAV99w Dual Ss
D715		001-10070-01	Diode BAV70W Dual Ss SOT323
D716		001-10099-01	Diode BAV99w Dual Ss
D717		001-10099-01	Diode BAV99w Dual Ss
D718		001-10099-01	Diode BAV99w Dual Ss
D719		001-10099-01	Diode BAV99w Dual Ss
D720		001-10099-01	Diode BAV99w Dual Ss
D721		001-10084-62	Diode SMD BZX84C6V2 Zen SOT23
D722		001-10099-01	Diode BAV99w Dual Ss
D723		001-10099-01	Diode BAV99w Dual Ss
D724		001-10084-33	Diode SMD BZX84C3V3 Zen SOT23
D725		001-10070-01	Diode BAV70W Dual Ss SOT323
D726		001-10099-01	Diode BAV99w Dual Ss
DIG_BCAN		319-01258-00	Shld Can Dgtl TMA
DIG_TCAN		319-01258-00	Shld Can Dgtl TMA
DIRC_TOP		319-01255-00	Shld Can Direc-Coup TMA
FCL_TOP		319-01257-00	Shld Can Frt End TMA
FE_TOP		319-01257-00	Shld Can Frt End TMA
HS300		316-85137-01	Plate Copper Heat TMA
HS301		316-85144-00	Plate Copper Heat TMAH
IC200		002-15468-23	IC DPOT MAX5468 10K 32-T SOT23
IC201		002-20103-24	IC BA10324 4x Op Amp Ssop-14
IC202		002-10151-90	IC SMD TDA1519C 2x11w Aud Pwr
IC203		002-16236-70	IC M62367GP 8bit 8ch D-A Ssop
IC204		002-10065-21	IC AD6521ACA Dual Codec
IC205		002-10045-50	IC SMD AK4550VT Codec Tssop-16
IC301		002-20103-24	IC BA10324 4x Op Amp Ssop-14
IC303		002-20103-24	IC BA10324 4x Op Amp Ssop-14
IC400		002-10266-70	IC SMD RF2667 Quad Demod Q-Sop
IC403		002-10160-10	IC SMD LMX1601 Dual Pll Tssop
IC500		002-74910-41	IC SMD 74V1G04 Inverter Sc70
IC501		002-74916-60	IC SMD 74HC1G66 Bilat Sw Sc70
IC502		002-10072-20	IC LMV722 2XOPAMP L/Noise Msop
IC503		002-14111-00	IC SMD ADF4111BRU PLL Tssop16
IC504		002-10040-66	IC MC14066 2x Bilat Sw S014
IC505		002-10227-21	IC SMD TLC2272CPW 0-amp
IC600		002-13823-33	IC TPS3823-33 3V3 Reset/Wdt
IC601		002-10009-00	IC LF90CPT V/LO DROP OUT 9VREG
IC602		002-12674-33	IC SMD LM2674 3V3 .5a Smps S08
IC603		002-10792-30	IC TPS79230 3V0 LDD 100mA Reg
IC604		002-10792-25	IC TPS79225 2V5 LDD 100mA Reg
IC605		000-10511-00	Xstr SMD IPS511S MOSFET Switch
IC606		002-11126-00	IC Smd LK112M60TR 6V 150mA Reg
IF_TOP		319-01256-00	Shld Can lf TMA
L3		153-12530-20	Coil S/W SMD 2t/3.0 1.25 1.989
L4		152-12534-40	Coil A/W SMDp 4t/3.4mm 1.25mm
L100		057-10010-20	Ind 0603 Blm11-B102s 0.1a
L101		057-10010-20	Ind 0603 Blm11-B102s 0.1a
L102		057-10010-20	Ind 0603 Blm11-B102s 0.1a
L104		057-10081-06	Ind 1806 Blm41p750s Emi Supr
L200		057-10010-20	Ind 0603 Blm11-B102s 0.1a
L303		052-57423-70	Coil A/W SMD 7t/2.3mm .57mm
L304		052-57419-40	Coil A/W SMD 4t/1.9mm .57mm
L305		052-57418-30	Coil A/W SMD 3t/1.8mm .57mm
L306		057-10081-06	Ind 1806 Blm41p750s Emi Supr
L310		065-10009-20	Bead Fer SMD Bds3/3/8.9-4s2

Parts List

PCB IPN 220-01723-02

Ref	Var	IPN	Description	Ref	Var	IPN	Description	Ref	Var	IPN	Description	Ref	Var	IPN	Description
Q4005		000-10000-50	Xstr SMD UMX5N Dual NPN SOT363	R228		038-15100-10	Res 0603 10k 1/10w 1%	R3518		036-12220-00	Res M/F SMD 0805 22e 5%	R4022		038-15270-00	Res 0603 27k 1/10w 5%
Q4006		000-10084-62	Xstr BC846S Dual SOT363 NPN	R229		038-15470-10	Res 0603 47k 1/10w 1%	R3519		038-14680-10	Res 0603 6k8 1/10w 1%	R4023		038-14180-00	Res 0603 1k8 1/10w 5%
Q4007		000-10084-73	Xstr BC847BPNNPN/PNP SOT363	R230		038-15470-10	Res 0603 47k 1/10w 1%	R3520		038-13330-00	Res 0603 330R 1/10w 5%	R4024		038-14100-10	Res 0603 1k0 1/10w 1%
Q400		000-10085-70	Xstr BC856 PNP Dual SOT363	R231		038-14120-10	Res 0603 1k2 1/10w 1%	R3521		036-11680-10	Res M/F SMD 0805 6e8 1%	R4025		038-12560-00	Res 0603 56R 1/10w 5%
Q401		000-10036-00	Xstr SMD BFR360F NPN Lo Noise	R232		038-15470-10	Res 0603 47k 1/10w 1%	R3522		036-11680-10	Res M/F SMD 0805 6e8 1%	R4026		038-14470-00	Res 0603 4k7 1/10w 5%
Q402		000-10084-71	Xstr BC847BW NPN SOT323	R233		038-15470-10	Res 0603 47k 1/10w 1%	R3523		038-11470-00	Res 0603 4e7 1/16W ± 5%	R4027		038-14150-00	Res 0603 1k5 1/10w 5%
Q403		000-10001-71	Xstr RF BFS17W NPN SOT323UHF	R234		038-15470-10	Res 0603 47k 1/10w 1%	R3524		036-13560-10	Res M/F SMD 0805 560e 1%	R4028		038-14470-00	Res 0603 4k7 1/10w 5%
Q404		000-10036-00	Xstr SMD BFR360F NPN Lo Noise	R235		038-15470-10	Res 0603 47k 1/10w 1%	R3525		038-13220-10	Res 0603 220R 1/10w 1%	R4029		038-15330-10	Res 0603 33k 1%
Q405		000-10000-90	Xstr PUMD9 Dual NPN/PNP SOT363	R236		038-14100-10	Res 0603 1k0 1/10w 1%	R3526		036-12390-00	Res M/F SMD 0805 39e 5%	R4030		038-14560-00	Res 0603 5k6 1/10w 5%
Q5000		000-10009-30	Xstr SMD BFR93A NPN SOT23	R238		038-14120-10	Res 0603 1k2 1/10w 1%	R3527		036-13270-00	Res M/F SMD 0805 270e 5%	R4031		038-14470-00	Res 0603 4k7 1/10w 5%
Q5001		000-10001-72	Xstr R BFS17S NPN SOT363	R239		038-16100-10	Res 0603 100k 1/10w 1%	R3530		036-16100-10	Res M/F SMD 0805 100k 1%	R4032		038-13220-10	Res 0603 220R 1/10w 1%
Q5002		000-10085-70	Xstr BC856 PNP Dual SOT363	R240		038-16120-10	Res 0603 120k 1%	R3531		036-13330-10	Res M/F SMD 0805 330e 1%	R4033		038-13220-10	Res 0603 220R 1/10w 1%
Q5003		000-10084-71	Xstr BC847BW NPN SOT323	R241		038-14470-00	Res 0603 4k7 1/10w 5%	R3535		036-17100-10	Res M/F SMD 0805 1M 1%	R4034		038-14560-00	Res 0603 5k6 1/10w 5%
Q5004		000-10085-71	Xstr SMD BC857BW PNP SOT323	R242		038-14100-10	Res 0603 1k0 1/10w 1%	R3536		036-17100-10	Res M/F SMD 0805 1M 1%	R4035		038-14100-10	Res 0603 1k0 1/10w 1%
Q500		000-10085-71	Xstr SMD BC857BW PNP SOT323	R243		038-15100-10	Res 0603 10k 1/10w 1%	R3537		036-12470-00	Res M/F SMD 0805 47e 5%	R4036		038-10000-00	Res 0603 Zero Ohm 1/16w ± 5%
Q501		000-10001-71	Xstr RF BFS17W NPN SOT323UHF	R245		038-15100-10	Res 0603 10k 1/10w 1%	R3539		036-13560-10	Res M/F SMD 0805 560e 1%	R4037		038-14470-00	Res 0603 4k7 1/10w 5%
Q502		000-10084-71	Xstr BC847BW NPN SOT323	R246		038-15100-10	Res 0603 10k 1/10w 1%	R353		038-16100-10	Res 0603 100k 1/10w 1%	R4038		038-15120-10	Res 0603 12k 1/10w 1%
Q503		000-10001-71	Xstr RF BFS17W NPN SOT323UHF	R247		038-15100-10	Res 0603 10k 1/10w 1%	R3541		015-01560-06	Cap Cer 1210 5p6 NPO 500vgrm42	R4039		038-15560-10	Res 0603 56k 1%
Q505		000-10084-71	Xstr BC847BW NPN SOT323	R249		038-10000-00	Res 0603 Zero Ohm 1/16w ± 5%	R3554		036-12390-00	Res M/F SMD 0805 39e 5%	R403		038-14100-10	Res 0603 1k0 1/10w 1%
Q508		000-10084-72	Xstr BC847BS NPN Dual SOT363	R250		038-16100-10	Res 0603 100k 1/10w 1%	R355		036-03110-10	Res 2512 10r 5% 1w	R4040		038-16100-10	Res 0603 100k 1/10w 1%
Q511		000-10084-73	Xstr BC847BPNNPN/PNP SOT363	R251		038-10000-00	Res 0603 Zero Ohm 1/16w ± 5%	R357		038-15100-10	Res 0603 10k 1/10w 1%	R404		038-10000-00	Res 0603 Zero Ohm 1/16w ± 5%
Q512		000-10084-71	Xstr BC847BW NPN SOT323	R252		038-12220-00	Res 0603 22e 1/16w ± 5%	R360		038-16100-10	Res 0603 100k 1/10w 1%	R406		038-15470-10	Res 0603 47k 1/10w 1%
Q600		000-10085-71	Xstr SMD BC857BW PNP SOT323	R253		038-12220-00	Res 0603 22e 1/16w ± 5%	R361		038-16100-10	Res 0603 100k 1/10w 1%	R407		038-16330-10	Res 0603 330k 1/10w 1%
Q601		000-10084-71	Xstr BC847BW NPN SOT323	R3015		036-01240-03	Res 1218 2e4 5% 1W PRC201	R362		038-16820-00	Res 0603 820k 1/10w 5%	R408		038-15100-10	Res 0603 10k 1/10w 1%
Q602		000-10084-71	Xstr BC847BW NPN SOT323	R3016		036-01240-03	Res 1218 2e4 5% 1W PRC201	R363		038-16820-00	Res 0603 820k 1/10w 5%	R409		038-13470-00	Res 0603 470R 1/10w 5%
Q603		000-10002-05	Xstr SMD BSH205 P Mos SOT23	R3020		036-02470-03	RES 1218 47e 5% 1w PRC201	R364		038-15330-10	Res 0603 33k 1%	R410		038-12220-00	Res 0603 22e 1/16w ± 5%
Q604		000-10084-71	Xstr BC847BW NPN SOT323	R3024		036-02470-03	RES 1218 47e 5% 1w PRC201	R365		038-15100-10	Res 0603 10k 1/10w 1%	R411		038-12820-00	Res 0603 82R 1/10w 5%
Q605		000-10002-05	Xstr SMD BSH205 P Mos SOT23	R3028		038-13100-10	Res 0603 100R 1/10w 1%	R366		038-17100-10	Res 0603 1M 1%	R412		038-14330-00	Res 0603 3k3 1/10w 5%
Q700		000-10085-71	Xstr SMD BC857BW PNP SOT323	R3029		038-13100-10	Res 0603 100R 1/10w 1%	R367		038-17100-10	Res 0603 1M 1%	R413		038-14270-00	Res 0603 2k7 1/10w 5%
Q701		000-10084-73	Xstr BC847BPNNPN/PNP SOT363	R3034		038-13100-10	Res 0603 100R 1/10w 1%	R368		038-16470-00	Res 0603 470k 1/10w 5%	R414		038-12150-10	Res 0603 15e 1/16w ± 1%
Q702		000-10084-71	Xstr BC847BW NPN SOT323	R3035		038-13100-10	Res 0603 100R 1/10w 1%	R369		038-16470-00	Res 0603 470k 1/10w 5%	R415		038-13560-10	Res 0603 560R 1/10w 1%
Q703		000-10084-73	Xstr BC847BPNNPN/PNP SOT363	R3063		036-12180-00	Res M/F SMD 0805 18e 5%	R370		038-16120-10	Res 0603 120k 1%	R416		038-15220-10	Res 0603 22k 1%
Q704		000-10084-73	Xstr BC847BPNNPN/PNP SOT363	R3070		038-10000-00	Res 0603 Zero Ohm 1/16w ± 5%	R371		038-16120-10	Res 0603 120k 1%	R417		038-14470-00	Res 0603 4k7 1/10w 5%
Q705		000-10084-73	Xstr BC847BPNNPN/PNP SOT363	R3071		038-10000-00	Res 0603 Zero Ohm 1/16w ± 5%	R372		038-15470-10	Res 0603 47k 1/10w 1%	R418		038-14680-10	Res 0603 6k8 1/10w 1%
Q706		000-10084-73	Xstr BC847BPNNPN/PNP SOT363	R312		038-10000-00	Res 0603 Zero Ohm 1/16w ± 5%	R373		038-15100-10	Res 0603 10k 1/10w 1%	R419		038-12150-10	Res 0603 15e 1/16w ± 1%
Q708		000-10085-71	Xstr SMD BC857BW PNP SOT323	R313		038-16100-10	Res 0603 100k 1/10w 1%	R374		038-15470-10	Res 0603 47k 1/10w 1%	R420		038-14100-10	Res 0603 1k0 1/10w 1%
Q709		000-10085-71	Xstr SMD BC857BW PNP SOT323	R314		038-15560-10	Res 0603 56k 1%	R375		038-15220-10	Res 0603 22k 1%	R421		038-15100-10	Res 0603 10k 1/10w 1%
R100		038-14470-00	Res 0603 4k7 1/10w 5%	R315		038-16100-10	Res 0603 100k 1/10w 1%	R376		038-15470-10	Res 0603 47k 1/10w 1%	R422		038-16100-10	Res 0603 100k 1/10w 1%
R101		038-14470-00	Res 0603 4k7 1/10w 5%	R318		038-16220-00	Res 0603 220k 1/10w 5%	R377		038-15100-10	Res 0603 10k 1/10w 1%	R423		038-16100-10	Res 0603 100k 1/10w 1%
R102		038-14220-00	Res 0603 2k2 1/10w 5%	R321		038-15330-10	Res 0603 33k 1%	R378		038-15470-10	Res 0603 47k 1/10w 1%	R424		038-12470-00	Res 0603 47R 1/10w 5%
R103		038-14220-00	Res 0603 2k2 1/10w 5%	R322		038-16220-00	Res 0603 220k 1/10w 5%	R379		038-14680-10	Res 0603 6k8 1/10w 1%	R425		038-14220-00	Res 0603 2k2 1/10w 5%
R104		038-14220-00	Res 0603 2k2 1/10w 5%	R323		038-16100-10	Res 0603 100k 1/10w 1%	R380		038-14220-00	Res 0603 2k2 1/10w 5%	R426		038-14150-00	Res 0603 1k5 1/10w 5%
R105		038-16100-10	Res 0603 100k 1/10w 1%	R324		038-17100-10	Res 0603 1M 1%	R381		038-15470-10	Res 0603 47k 1/10w 1%	R427		038-14150-00	Res 0603 1k5 1/10w 5%
R106		038-14470-00	Res 0603 4k7 1/10w 5%	R327		038-15100-10	Res 0603 10k 1/10w 1%	R382		038-14470-00	Res 0603 4k7 1/10w 5%	R428		038-13820-00	Res 0603 820R 1/10w 5%
R107		038-14470-00	Res 0603 4k7 1/10w 5%	R328		036-12470-00	Res M/F SMD 0805 47e 5%	R385		038-14470-00	Res 0603 4k7 1/10w 5%	R430		038-15390-10	Res 0603 39k2 1%
R108		038-13680-00	Res 0603 680R 1/10w 5%	R329		036-12470-00	Res M/F SMD 0805 47e 5%	R386		038-14220-00	Res 0603 2k2 1/10w 5%	R431		038-17100-10	Res 0603 1M 1%
R109		038-13820-00	Res 0603 820R 1/10w 5%	R331		038-16100-10	Res 0603 100k 1/10w 1%	R387		038-14680-10	Res 0603 6k8 1/10w 1%	R432		038-17100-10	Res 0603 1M 1%
R110		038-14470-00	Res 0603 4k7 1/10w 5%	R333		038-10000-00	Res 0603 Zero Ohm 1/16w ± 5%	R388		038-15470-10	Res 0603 47k 1/10w 1%	R433		038-14560-00	Res 0603 5k6 1/10w 5%
R112		038-10000-00	Res 0603 Zero Ohm 1/16w ± 5%	R334		038-14100-10	Res 0603 1k0 1/10w 1%	R389		036-03150-07	Res 2010 150e 5% 0.5w	R434		038-16100-10	Res 0603 100k 1/10w 1%
R199		038-10000-00	Res 0603 Zero Ohm 1/16w ± 5%	R335		038-11470-00	Res 0603 4e7 1/16W ± 5%	R390		036-03150-07	Res 2010 150e 5% 0.5w	R435		038-13560-10	Res 0603 560R 1/10w 1%
R200		038-15470-10	Res 0603 47k 1/10w 1%	R336		038-15100-10	Res 0603 10k 1/10w 1%	R391		038-15470-10	Res 0603 47k 1/10w 1%	R436		038-14150-00	Res 0603 1k5 1/10w 5%
R201		038-15470-10	Res 0603 47k 1/10w 1%	R337		038-11470-00	Res 0603 4e7 1/16W ± 5%	R392		038-15330-10	Res 0603 33k 1%	R437		038-13680-00	Res 0603 680R 1/10w 5%
R202		038-15470-10	Res 0603 47k 1/10w 1%	R338		036-12100-10	Res M/F SMD 0805 10e 1%	R393		038-15100-10	Res 0603 10k 1/10w 1%	R438		038-13680-00	Res 0603 680R 1/10w 5%
R203		038-15470-10	Res 0603 47k 1/10w 1%	R339		038-14470-00	Res 0603 4k7 1/10w 5%	R396		038-16330-10	Res 0603 330k 1/10w 1%	R4501		038-10000-00	Res 0603 Zero Ohm 1/16w ± 5%
R204		038-15470-10	Res 0603 47k 1/10w 1%	R340		038-14330-00	Res 0603 3k3 1/10w 5%	R397		038-10000-00	Res 0603 Zero Ohm 1/16w ± 5%	R5000		038-14560-00	Res 0603 5k6 1/10w 5%
R205		038-14560-00	Res 0603 5k6 1/10w 5%	R341		038-14330-00	Res 0603 3k3 1/10w 5%	R398		038-15470-10	Res 0603 47k 1/10w 1%	R5001		038-14270-00	Res 0603 2k7 1/10w 5%
R206		038-14330-00	Res 0603 3k3 1/10w 5%	R342		038-17221-10	Res 0603 2M21 1/10w 1%	R399		038-15470-10	Res 0603 47k 1/10w 1%	R5002		038-12560-00	Res 0603 56R 1/10w 5%
R207		038-14120-10	Res 0603 1k2 1/10w 1%	R343		036-11470-00	Res M/F SMD 0805 4e7 5%	R4000		0					

Parts List

PCB IPN 220-01723-02

Ref	Var	IPN	Description
R5027		038-14470-00	Res 0603 4k7 1/10w 5%
R5028		038-10000-00	Res 0603 Zero Ohm 1/16w ± 5%
R502		038-16100-10	Res 0603 100k 1/10w 1%
R5030		038-14470-00	Res 0603 4k7 1/10w 5%
R5031		038-13120-00	Res 0603 120R 1/10w 5%
R503		038-12220-00	Res 0603 22e 1/16w ± 5%
R504		038-16150-10	Res 0603 150k 1%
R505		038-13100-10	Res 0603 100R 1/10w 1%
R506		038-13820-00	Res 0603 820R 1/10w 5%
R507		038-12470-00	Res 0603 47R 1/10w 5%
R508		038-15100-10	Res 0603 10k 1/10w 1%
R509		038-12470-00	Res 0603 47R 1/10w 5%
R510		038-13390-10	Res 0603 390R 1/10w 1%
R511		038-16100-10	Res 0603 100k 1/10w 1%
R512		038-12180-00	Res 0603 18e 1/16w ± 5%
R513		038-10000-00	Res 0603 Zero Ohm 1/16w ± 5%
R514		038-15100-10	Res 0603 10k 1/10w 1%
R515		038-15100-10	Res 0603 10k 1/10w 1%
R516		038-10000-00	Res 0603 Zero Ohm 1/16w ± 5%
R517		038-15560-10	Res 0603 56k 1%
R518		038-15100-10	Res 0603 10k 1/10w 1%
R519		038-12470-00	Res 0603 47R 1/10w 5%
R520		038-12470-00	Res 0603 47R 1/10w 5%
R521		038-15100-10	Res 0603 10k 1/10w 1%
R522		038-12560-00	Res 0603 56R 1/10w 5%
R523		038-16100-10	Res 0603 100k 1/10w 1%
R524		038-15560-10	Res 0603 56k 1%
R525		038-12470-00	Res 0603 47R 1/10w 5%
R526		038-14100-10	Res 0603 1k0 1/10w 1%
R527		038-15330-10	Res 0603 33k 1%
R528		038-13470-00	Res 0603 470R 1/10w 5%
R529		038-16100-10	Res 0603 100k 1/10w 1%
R530		038-13100-10	Res 0603 100R 1/10w 1%
R531		038-13820-00	Res 0603 820R 1/10w 5%
R532		038-14100-10	Res 0603 1k0 1/10w 1%
R533		038-12220-00	Res 0603 22e 1/16w ± 5%
R534		038-15100-10	Res 0603 10k 1/10w 1%
R535		038-15100-10	Res 0603 10k 1/10w 1%
R536		038-16100-10	Res 0603 100k 1/10w 1%
R537		038-16105-10	Res 0603 105k 1/10w 1%
R538		038-16100-10	Res 0603 100k 1/10w 1%
R539		038-15100-10	Res 0603 10k 1/10w 1%
R540		038-12470-00	Res 0603 47R 1/10w 5%
R541		038-13560-10	Res 0603 560R 1/10w 1%
R542		038-10000-00	Res 0603 Zero Ohm 1/16w ± 5%
R543		038-12470-00	Res 0603 47R 1/10w 5%
R544		038-12470-00	Res 0603 47R 1/10w 5%
R545		038-15180-00	Res 0603 18k 1/10w 5%
R546		038-15180-00	Res 0603 18k 1/10w 5%
R547		038-13270-10	Res 0603 270R 1/10w 1%
R548		038-12220-00	Res 0603 22e 1/16w ± 5%
R549		038-12220-00	Res 0603 22e 1/16w ± 5%
R550		038-15180-00	Res 0603 18k 1/10w 5%
R551		038-14270-00	Res 0603 2k7 1/10w 5%
R552		038-15120-10	Res 0603 12k 1/10w 1%
R554		038-13680-00	Res 0603 680R 1/10w 5%
R555		038-16100-10	Res 0603 100k 1/10w 1%
R556		038-14330-00	Res 0603 3k3 1/10w 5%
R557		038-14220-00	Res 0603 2k2 1/10w 5%
R560		038-14220-00	Res 0603 2k2 1/10w 5%
R563		038-12330-20	Res 0603 33R0 1/10w 0.5%
R565		038-14180-00	Res 0603 1k8 1/10w 5%
R566		038-15270-20	Res 0603 27k 0.5%
R568		038-14330-00	Res 0603 3k3 1/10w 5%
R569		038-16100-10	Res 0603 100k 1/10w 1%
R570		038-15270-20	Res 0603 27k 0.5%
R571		038-13390-10	Res 0603 390R 1/10w 1%
R573		038-12330-20	Res 0603 33R0 1/10w 0.5%
R594		038-14270-00	Res 0603 2k7 1/10w 5%
R598		038-14270-00	Res 0603 2k7 1/10w 5%
R600		038-15330-10	Res 0603 33k 1%
R601		038-15330-10	Res 0603 33k 1%
R602		038-10000-00	Res 0603 Zero Ohm 1/16w ± 5%
R603		038-14100-10	Res 0603 1k0 1/10w 1%
R604		038-13270-10	Res 0603 270R 1/10w 1%
R605		038-15470-10	Res 0603 47k 1/10w 1%
R607		038-15100-10	Res 0603 10k 1/10w 1%

Ref	Var	IPN	Description
R610		038-15120-10	Res 0603 12k 1/10w 1%
R611		038-11470-00	Res 0603 4e7 1/16W ± 5%
R612		038-10000-00	Res 0603 Zero Ohm 1/16w ± 5%
R614		038-10000-00	Res 0603 Zero Ohm 1/16w ± 5%
R615		038-15470-10	Res 0603 47k 1/10w 1%
R616		038-15470-10	Res 0603 47k 1/10w 1%
R617		038-15470-10	Res 0603 47k 1/10w 1%
R619		038-15470-10	Res 0603 47k 1/10w 1%
R620		038-16100-10	Res 0603 100k 1/10w 1%
R624		038-15470-10	Res 0603 47k 1/10w 1%
R626		038-15470-10	Res 0603 47k 1/10w 1%
R627		038-15470-10	Res 0603 47k 1/10w 1%
R628		038-16100-10	Res 0603 100k 1/10w 1%
R629		038-16100-10	Res 0603 100k 1/10w 1%
R630		038-15470-10	Res 0603 47k 1/10w 1%
R700		038-12470-00	Res 0603 47R 1/10w 5%
R701		038-14100-10	Res 0603 1k0 1/10w 1%
R702		038-16100-10	Res 0603 100k 1/10w 1%
R703		038-15100-10	Res 0603 10k 1/10w 1%
R704		038-16100-10	Res 0603 100k 1/10w 1%
R705		038-14470-00	Res 0603 4k7 1/10w 5%
R706		038-15470-10	Res 0603 47k 1/10w 1%
R707		038-14470-00	Res 0603 4k7 1/10w 5%
R708		038-15220-10	Res 0603 22k 1%
R709		038-15470-10	Res 0603 47k 1/10w 1%
R710		038-15470-10	Res 0603 47k 1/10w 1%
R711		038-15470-10	Res 0603 47k 1/10w 1%
R712		038-14470-00	Res 0603 4k7 1/10w 5%
R713		038-15330-10	Res 0603 33k 1%
R714		038-12560-00	Res 0603 56R 1/10w 5%
R715		038-13820-00	Res 0603 820R 1/10w 5%
R716		038-15100-10	Res 0603 10k 1/10w 1%
R717		038-15470-10	Res 0603 47k 1/10w 1%
R718		038-15100-10	Res 0603 10k 1/10w 1%
R719		038-14560-00	Res 0603 5k6 1/10w 5%
R720		038-15100-10	Res 0603 10k 1/10w 1%
R721		038-15470-10	Res 0603 47k 1/10w 1%
R722		038-13560-10	Res 0603 560R 1/10w 1%
R723		038-15330-10	Res 0603 33k 1%
R724		038-15330-10	Res 0603 33k 1%
R725		038-15330-10	Res 0603 33k 1%
R726		038-15330-10	Res 0603 33k 1%
R727		038-15330-10	Res 0603 33k 1%
R728		038-15330-10	Res 0603 33k 1%
R729		038-15330-10	Res 0603 33k 1%
R730		038-15330-10	Res 0603 33k 1%
R731		038-14100-10	Res 0603 1k0 1/10w 1%
R732		038-14100-10	Res 0603 1k0 1/10w 1%
R733		038-14100-10	Res 0603 1k0 1/10w 1%
R734		038-14100-10	Res 0603 1k0 1/10w 1%
R735		038-14100-10	Res 0603 1k0 1/10w 1%
R736		038-14100-10	Res 0603 1k0 1/10w 1%
R737		038-14100-10	Res 0603 1k0 1/10w 1%
R738		038-14100-10	Res 0603 1k0 1/10w 1%
R739		038-14100-10	Res 0603 1k0 1/10w 1%
R740		038-16100-10	Res 0603 100k 1/10w 1%
R741		038-16100-10	Res 0603 100k 1/10w 1%
R742		038-16100-10	Res 0603 100k 1/10w 1%
R743		038-14100-10	Res 0603 1k0 1/10w 1%
R744		038-12470-00	Res 0603 47R 1/10w 5%
R745		038-16100-10	Res 0603 100k 1/10w 1%
R746		038-15100-10	Res 0603 10k 1/10w 1%
R747		038-10000-00	Res 0603 Zero Ohm 1/16w ± 5%
R748		038-14470-00	Res 0603 4k7 1/10w 5%
R749		038-14470-00	Res 0603 4k7 1/10w 5%
R750		038-14470-00	Res 0603 4k7 1/10w 5%
R751		038-14470-00	Res 0603 4k7 1/10w 5%
R753		038-14470-00	Res 0603 4k7 1/10w 5%
R754		038-14470-00	Res 0603 4k7 1/10w 5%
R755		038-14470-00	Res 0603 4k7 1/10w 5%
R756		038-14470-00	Res 0603 4k7 1/10w 5%
R757		038-15470-10	Res 0603 47k 1/10w 1%
R758		038-15470-10	Res 0603 47k 1/10w 1%
R759		038-15470-10	Res 0603 47k 1/10w 1%
R760		038-15470-10	Res 0603 47k 1/10w 1%
R761		038-12560-00	Res 0603 56R 1/10w 5%
R762		038-12560-00	Res 0603 56R 1/10w 5%

Ref	Var	IPN	Description
R763		038-12560-00	Res 0603 56R 1/10w 5%
R764		038-12560-00	Res 0603 56R 1/10w 5%
R765		038-15470-10	Res 0603 47k 1/10w 1%
R766		038-15470-10	Res 0603 47k 1/10w 1%
R767		038-15470-10	Res 0603 47k 1/10w 1%
R768		038-10000-00	Res 0603 Zero Ohm 1/16w ± 5%
R769		036-15330-10	Res M/F SMD 0805 33k 1%
R770		036-15330-10	Res M/F SMD 0805 33k 1%
R771		036-15330-10	Res M/F SMD 0805 33k 1%
R772		036-15330-10	Res M/F SMD 0805 33k 1%
R773		038-15330-10	Res 0603 33k 1%
R774		038-15330-10	Res 0603 33k 1%
R776		038-15100-10	Res 0603 10k 1/10w 1%
R777		038-13820-00	Res 0603 820R 1/10w 5%
R788		038-13270-10	Res 0603 270R 1/10w 1%
R789		038-14100-10	Res 0603 1k0 1/10w 1%
R790		038-13220-10	Res 0603 220R 1/10w 1%
R792		038-13220-10	Res 0603 220R 1/10w 1%
SK100		240-10006-00	Skt SMD Dual Row Ra 2.54mm
SK101		240-02022-00	Skt Drng 15Way Ra S/Line Fem
SK102		240-10000-11	Conn SMD 18w Skt M/Match
SK103	Mini-UHF	240-00029-00	Conn Rf Female Mini UHF TMA
SK103	BNC	240-00028-00	Conn Rf Female BNC TMA
SPARE1		036-10000-00	Res M/F SMD 0805 0e 0.125w
SPARE2		036-10000-00	Res M/F SMD 0805 0e 0.125w
SPARE3		036-10000-00	Res M/F SMD 0805 0e 0.125w
SYN_BOT		319-01205-00	Shld Top Side VCO T/Orca
SYN_TOP		319-01260-00	Shld Can Synth 6.7mm TMA
T400		050-10061-70	Bal Mxr SMD 617db-1018
T401		050-10061-70	Bal Mxr SMD 617db-1018
VCO_BOT		319-01206-01	Shld Bttm Side VCO T/Orca
VCXO_BOT		319-01257-00	Shld Can Frt End TMA
XF400		276-10000-19	Filtr Xtal 21.4m 13k B/W -E13a
XF401		276-10000-10	Filtr Xtal 21.4m 15k B/W
XL500		539-10011-00	Vctcxo 13.0MHz +-1.5ppm -30+80
XL501		274-10022-00	Xtal 13.0133MHz Hc-49/Sm+30ppm

Grid Reference Index

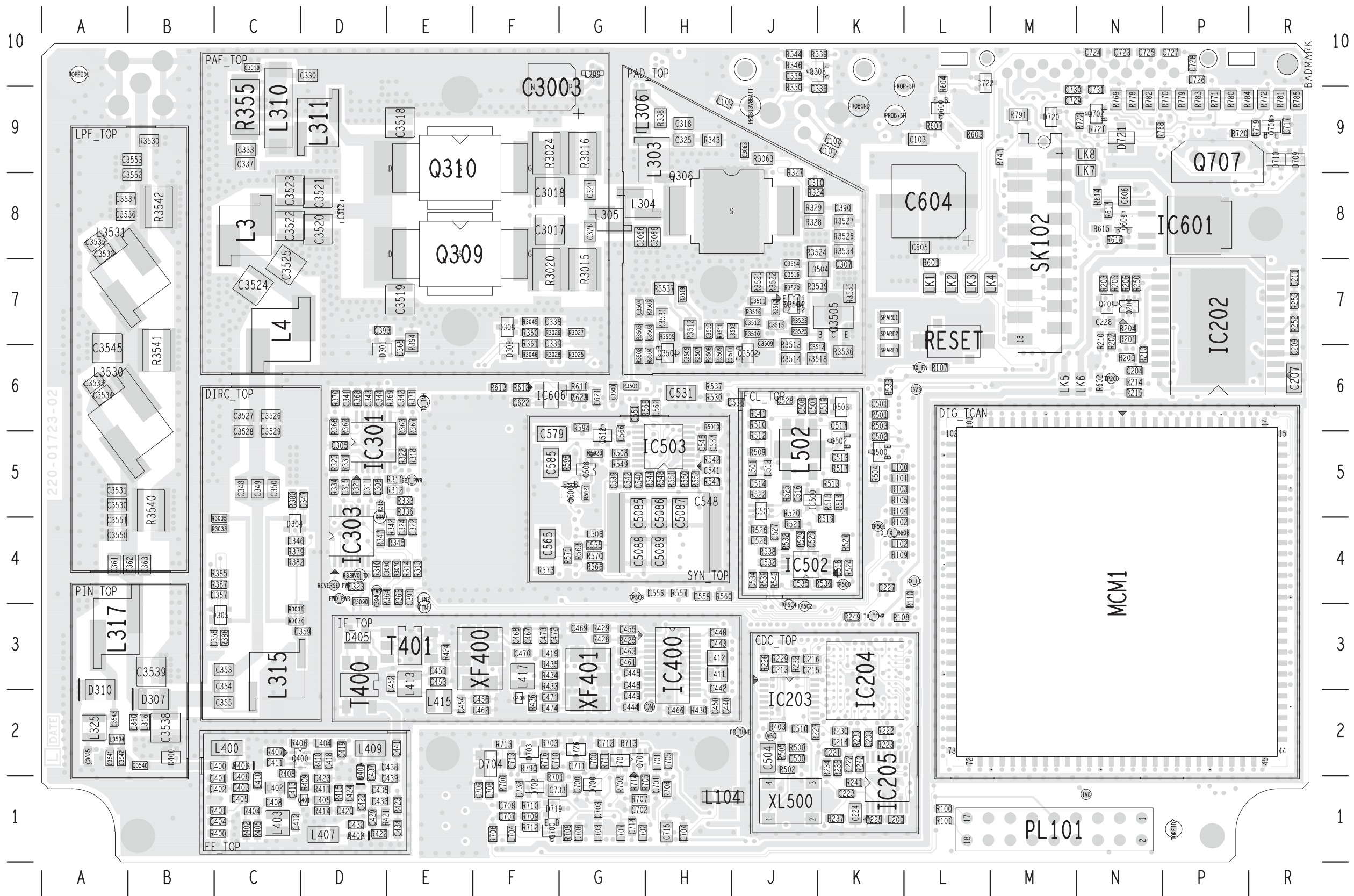
PCB IPN 220-01723-02

Ref	PCB	Circuit	Ref	PCB	Circuit	Ref	PCB	Circuit	Ref	PCB	Circuit	Ref	PCB	Circuit	Ref	PCB	Circuit	Ref	PCB	Circuit	Ref	PCB	Circuit	Ref	PCB	Circuit
1V8	1:N1	1-H7	C336	1:K9	3-G5	C4002	2:C3	4-F9	C463	1:G3	4-D8	C542	1:G5	5-J7	CDC_BOT	2:K2	2-A7	D722	1:L10	7-J12	L306	1:G9	3-F3			
3V3	1:L6	1-B11	C337	1:C9	3-E5	C4003	2:E2	4-G8	C464	2:H3	4-C8	C543	2:H5	5-A5	CDC_TOP	1:K2	2-A6	D723	2:M9	7-J12	L309	1:G10	3-F4			
9V0	2:K4	1-C11	C338	1:F7	3-C7	C4005	2:C4	4-F10	C465	2:H2	4-C8	C544	2:H5	5-E7	D301	1:D6	3-J8	D724	2:M9	7-D11	L310	1:C9	3-F5			
9V0_TX	1:D4	3-G10	C339	1:F7	3-A7	C4006	2:D3	4-C10	C466	1:H2	4-B8	C545	2:G6	5-B14	D303	2:H9	3-G5	D725	2:N9	7-D12	L311	1:D9	3-E5			
AGC	1:J2	1-H13	C340	2:G10	3-F6	C4007	2:D4	4-F11	C467	1:F3	4-H13	C546	1:H5	5-J8	D304	1:C4	3-F9	D726	1:G2	7-D3	L312	1:D8	3-E6			
BOTFID2	2:P1	1-A12	C341	1:D6	3-C8	C4008	2:D4	4-E11	C468	1:F3	4-H12	C548	1:H4	5-G8							7-C3	L315	1:C3	3-E10		
BOTFID1	2:A10	1-A11	C342	1:E6	3-B8	C4009	2:D4	4-E11	C469	1:G3	4-D9	C549	2:G5	5-B13	D305	1:C3	3-D11	DIG_BCAN	2:N4	1-A7	L316	1:B2	3-E11			
C1	2:E3	1-E12	C343	1:D6	3-C8	C400	1:C2	4-H2	C470	1:F3	4-H13	C550	2:H5	5-G9				DIG_TCAN	1:N4	1-A6	L317	1:A3	3-E11			
C100	1:H9	1-J1	C344	1:D6	3-B8	C4010	2:D3	4-C11	C471	1:F2	4-J13	C551	1:G6	5-J8	D306	2:C5	3-B12	DIRC_TOP	1:C4	3-C14	L325	1:A2	3-F12			
C101	1:K9	1-J1	C346	1:C4	3-F9	C4011	2:D4	4-F12	C472	1:F3	4-J14	C554	2:G6	5-B13	D307	1:B2	3-D11	DRV	1:D5	3-H1	L3502	1:J7	3-B3			
C102	1:K9	1-J2	C347	1:D5	3-E9	C4012	2:C3	4-F12	C473	1:F3	4-K14	C555	1:G4	5-G9	D308	1:F7	3-C7	D_TX_INH	1:K4	3-B10	L3504	1:K7	3-A4			
C103	1:L9	1-J2	C348	1:C5	3-E9	C4013	2:E3	4-E13	C474	1:F2	4-H14	C556	1:H4	5-J9	D309	1:F6	3-B7	FCL_TOP	1:J5	5-A10	L3530	1:B6	3-D12			
C104	2:N2	1-G4	C349	1:C5	3-D9	C4014	2:D3	4-F14	C476	2:C1	4-J2	C558	1:H4	5-J9	D310	1:A2	3-F11	FE_TOP	1:D1	4-A9	L3531	1:B7	3-D13			
C105	2:N2	1-G4	C3500	1:G6	3-C1	C4015	2:D3	4-E14	C5000	2:F5	5-C7	C562	1:H6	5-H10	D311	2:E4	3-A10	FE_TUNE	1:J2	1-H13	L3534	1:A2	3-G11			
C106	2:P2	1-G4	C3503	1:H7	3-C1	C4016	2:D2	4-C14	C5001	2:F6	5-D7	C565	1:F4	5-F11	D4000	2:D4	4-F10	FIN1	1:E3	3-C10	L4000	2:D2	4-G8			
C107	2:M2	1-J5	C3504	1:G7	3-C2	C4017	2:E3	4-E14	C5002	2:E5	5-C8	C566	1:G5	5-J10	D4001	2:D4	4-E10	FIN2	1:E4	3-B10	L4001	2:D3	4-E14			
C108	2:M2	1-H5	C3505	1:H6	3-B2	C401	1:C1	4-G1	C5003	2:F5	5-B8	C579	1:F5	5-G6	D4002	2:D3	4-E13	FWD_PWR	1:D4	3-H8	L400	1:C2	4-G2			
C109	2:M2	1-H5	C3509	1:J7	3-A3	C402	1:C1	4-G2	C5004	2:E5	5-C8	C583	2:F4	5-B13	D4003	2:E2	4-D14	HS300	2:E9	3-C13	L401	2:F3	4-E2			
C110	2:L2	1-H5	C350	1:C5	3-D9	C4030	2:C2	4-F8	C5005	2:E5	5-C9	C584	2:G4	5-C13				HS301	2:D8	3-C13	L402	1:C1	4-G4			
C201	2:N6	2-F3	C3510	1:H7	3-B3	C403	1:C1	4-G2	C5006	2:F5	5-B9	C585	1:F5	5-H14	D4004	2:D3	4-B11	IC200	2:N6	2-E3	L403	1:C1	4-G4			
C202	2:K2	2-H3	C3511	1:J7	3-A4	C404	1:C1	4-H2	C5008	2:G5	5-B10	C587	2:G4	5-B14				IC201	2:N6	2-E3	L404	1:D2	4-J5			
C203	1:K2	2-G5	C3512	1:J7	3-B4	C405	1:C1	4-H2	C5009	2:F6	5-B10	C600	2:K9	6-E3	D400	1:B2	4-G1				L405	1:D1	4-H5			
C204	1:N6	2-D3	C3513	1:J6	3-A4	C406	1:C1	4-G2	C500	1:J2	5-J1	C601	2:N7	6-D3	D401	1:C2	4-G2				L406	2:G3	4-C3			
C205	2:M6	2-E4	C3514	1:J7	3-B4	C408	1:C1	4-H3	C5010	2:F6	5-B11	C602	2:N6	6-B3	D402	1:D1	4-G6				L407	1:D1	4-G6			
C206	2:K1	2-G4	C3515	1:J7	3-B6	C409	2:G2	4-D2	C5011	2:F4	5-D11	C603	2:L7	6-E7	D403	1:D2	4-G7				L408	2:F3	4-D4			
C207	1:R6	2-D4	C3516	1:J7	3-B5	C410	1:C1	4-G4	C5012	2:G5	5-B11	C604	1:L8	6-E4	D404	2:H3	4-C3				L409	1:D2	4-G7			
C208	2:K2	2-H5	C3517	1:H6	3-A2	C411	1:C2	4-H4	C5013	2:G6	5-B11	C605	1:L8	6-E5	D405	1:D3	4-H9	IC202	1:P7	2-C4	L411	1:H3	4-C5			
C209	1:R6	2-C5	C3518	1:E9	3-E6	C412	1:C1	4-G4	C5014	2:G5	5-C11	C606	1:N8	6-G5	D5000	2:F4	5-D10	IC203	1:J2	2-D8	L412	1:H3	4-C5			
C210	2:K1	2-H5	C3519	1:E7	3-D6	C413	1:C1	4-H4	C5015	2:G6	5-B11	C608	2:L8	6-E6	D5001	2:F4	5-D10	IC204	1:K3	2-G10	L413	1:E3	4-H10			
C211	1:R7	2-C5	C3520	1:D8	3-E7	C414	2:G3	4-D3	C5016	2:G5	5-C12	C609	2:J3	6-D6	D5002	2:F4	5-D10	IC205	1:K1	2-D12	L414	2:H3	4-D7			
C212	2:K1	2-E5	C3521	1:D8	3-D6	C415	2:G3	4-C2	C5017	2:G5	5-C13	C610	2:K3	6-C6	D5003	2:F4	5-D10	IC301	1:D5	3-J3	L415	1:E2	4-H11			
C213	1:J3	2-F7	C3522	1:C8	3-E7	C416	2:G3	4-C3	C5018	2:G5	5-B13	C611	2:N8	6-G7	D5004	2:G5	5-B12				L417	1:F3	4-H13			
C214	1:K2	2-F8	C3523	1:C8	3-D7	C417	2:G3	4-C3	C501	1:K6	5-B1	C612	2:L6	6-E7							L419	1:F3	4-K14			
C215	1:J3	2-F9	C3524	1:C7	3-E7	C418	1:D2	4-J5	C502	1:K5	5-B1	C613	2:L7	6-E7	D501	2:K4	5-C3				L5000	2:F6	5-C7			
C216	1:J3	2-F9	C3525	1:C7	3-D7	C419	1:D2	4-J5	C503	2:J4	5-E1	C614	2:J2	6-D7	D502	2:K4	5-C3				L5001	2:F5	5-C8			
C217	2:K2	2-G9	C3526	1:C6	3-E8	C420	1:D1	4-H5	C504	1:J2	5-J1	C615	2:K3	6-B7	D503	1:K6	5-B4	IC303	1:D4	3-J7	L5002	2:F5	5-B8			
C218	2:J2	2-C9	C3527	1:C6	3-D8	C421	2:H3	4-C3	C505	2:J5	5-E2	C616	2:J3	6-D8	D600	2:J8	6-G2				L5003	2:F5	5-B8			
C219	2:K3	2-J10	C3528	1:C5	3-E8	C422	1:D1	4-H5	C506	1:J6	5-B2	C617	2:K3	6-C8	D601	2:N7	6-E3				L5004	2:E4	5-C10			
C220	2:K2	2-J10	C3529	1:C5	3-D8	C423	1:D1	4-H5	C507	1:J6	5-B2	C618	2:L6	6-E8							L5005	2:F4	5-D11			
C221	1:K2	2-F8	C3530	1:A5	3-D12	C424	1:D1	4-H6	C5085	1:G5	5-F8	C619	2:F3	6-C8	D602	2:M7	6-D5				L5006	2:F5	5-B11			
C222	1:K2	2-C11	C3531	1:A5	3-D12	C425	2:H3	4-C4	C5086	1:H5	5-F8	C620	2:F3	6-C8				IC400	1:H3	4-C7	L5007	2:G5	5-C12			
C223	1:K1	2-D12	C3532	1:A8	3-E13	C426	2:F3	4-E4	C5087	1:H5	5-F8	C621	1:G6	6-C4	D603	2:N7	6-D3	IC403	2:G3	4-C2	L5008	2:G5	5-C12			
C224	1:K1	2-D12	C3533	1:A6	3-E12	C427	2:H3	4-C4	C5088	1:G4	5-F8	C622	1:F6	6-C5	D604	2:N6	6-C3	IC500	1:J5	5-J3	L500	2:J4	5-E2			
C225	1:K1	2-E13	C3534	1:A6	3-E12	C428	2:H3	4-C4	C5089	1:H4	5-F8	C623	1:G6	6-C5	D606	2:L8	6-E6				L501	1:J5	5-H2			
C226	2:K2	2-G7	C3535	1:A8	3-E13	C429	1:D1	4-H6	C508	2:J4	5-E2	C700	1:G1	7-H3	D700	1:G1	7-J2	IC501	1:J5	5-H4	L502	1:J5	5-B2			
C227	1:K4	2-G7	C3536	1:A8	3-D14	C430	2:F3	4-E4	C509	2:J4	5-C2	C701	1:H1	7-H3	D701	1:G2	7-J3	IC502	1:J4	5-H5	L503	2:J6	5-E3			
C228	1:N7	2-D5	C3537	1:A8	3-D14	C431	2:F3	4-D4	C510	1:J2	5-H2	C702	1:G1	7-G3	D702	1:F1	7-E2				L504	2:J5	5-D4			
C230	2:N6	2-F3	C3538	1:B2	3-D11	C432	1:D1	4-G6	C511	2:J4	5-E2	C703	1:G1	7-G3							L505	2:J5	5-E4			
C231	2:M6	2-E4	C3539	1:B3	3-D11	C433	1:D1	4-H6	C512	1:J5	5-H2	C704	1:H1	7-F3	D703	1:F2	7-E3				L506	1:G4	5-E7			
C232	2:N6	2-E3	C353	1:C3	3-E10	C434	1:E1	4-J7	C513	1:K5	5-B3	C705	1:H2	7-F3	D704	1:F2	7-E2	IC503	1:H5	5-H7	L507	2:G5	5-B13			
C3003	1:F9	3-F5	C3540	1:B2	3-H11	C435	1:D1	4-H7	C514	1:J5	5-H3	C706	1:G1	7-E3	D705	2:N7	7-J7	IC504	2:H4	5-F9	L510	2:G6	5-B11			
C3017	1:F8	3-E5	C3541	1:A2	3-G11	C436	2:H3	4-C5	C516	1:J5	5-J3	C707	1:F1	7-B3							L522	2:G5	5-C13			
C3018	1:F8	3-D5	C3542	1:A2	3-G11	C437	1:D2	4-G7	C517	1:K6	5-B3	C708	1:F1	7-B2							L600	2:K8	6-E3			
C3019	1:C10	3-F4	C3543	1:A2	3-G11	C438	1:E2	4-H7	C518	1:K4	5-G4	C709	1:F1	7-B3	D706	2:N7	7-H7				L601	2:L8	6-E7			
C3035	1:A2	3-F12	C3545	1:A6	3-D13	C439	1:E1	4-H8	C519	1:K6	5-B4	C710	1:F2	7-D3							L602	2:K9	6-E3			
C305	1:D5	3-G1	C354	1:C3	3-D10	C440	1:H2	4-C5	C520	2:J5	5-D4	C711	1:G2	7-C3	D707	2:N7	7-H7				L700	1:G2	7-H3			
C3063	1:J9	3-D3	C3550	1:A4	3-D12	C441	1:E2	4-H8	C521	2:J5	5-D4	C712	1:G2	7-J3				IC505	2:H5	5-E9	L701	1:H2	7-H3			
C3066	1:G8	3-D3	C3551	1:A4	3-D12	C442	1:H3	4-C5	C522	2:K4	5-C4	C713	1:F2	7-E3	D708	2:N8	7-F7				L702	1:G1	7-G3			
C3068	1:H8	3-D4	C3552	1:B8	3-D13	C443	1:H3	4-C5	C523	2:J4	5-C4	C714	1:G1	7-C5							L703	1:G1	7-G3			
C307	1:K7	3-A6	C3553	1:B9	3-D13	C444	1:G2	4-C6	C524	2:J5	5-E4	C715	1:H1	7-C5	D709	1:R9	7-K11	IC600	2:M6	6-B3	L704	1:F1	7-B3			
C308	1:D5	3-H1	C355	1:C2	3-D10	C445	1:G3	4-B6	C525	2:J5	5-E4	C717	1:R9	7-J6	D710	1:R9	7-J11	IC601	1:P8	6-G6	L706	1:F1	7-B3			
C3090	1:E4	3-H7	C356	1:B3	3-C11	C446	1:G3	4-B6	C526	1:J4	5-H4	C718	2:L9	7-C13	D711	2:P9	7-G11	IC602	2:L8							

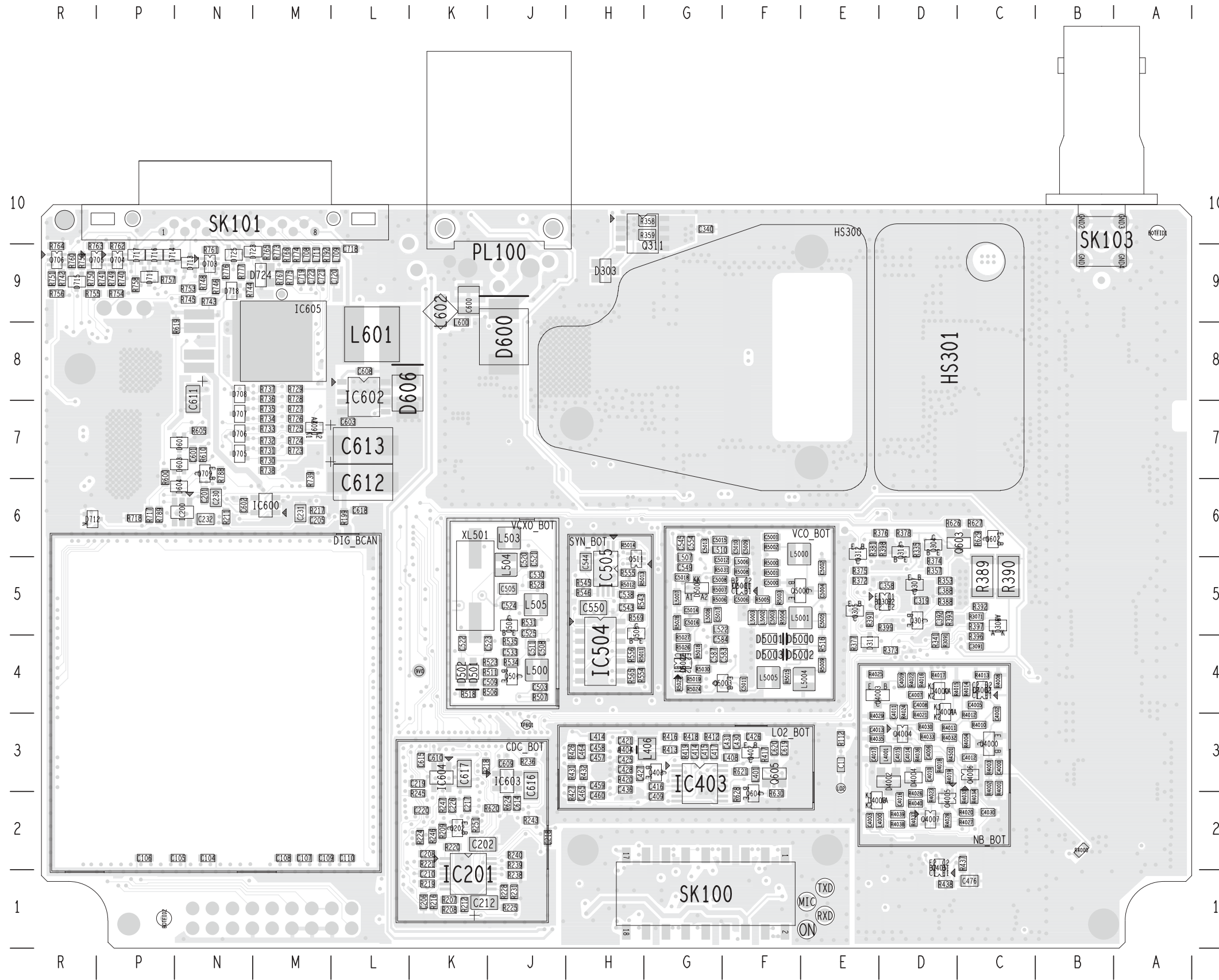
Grid Reference Index

PCB IPN 220-01723-02

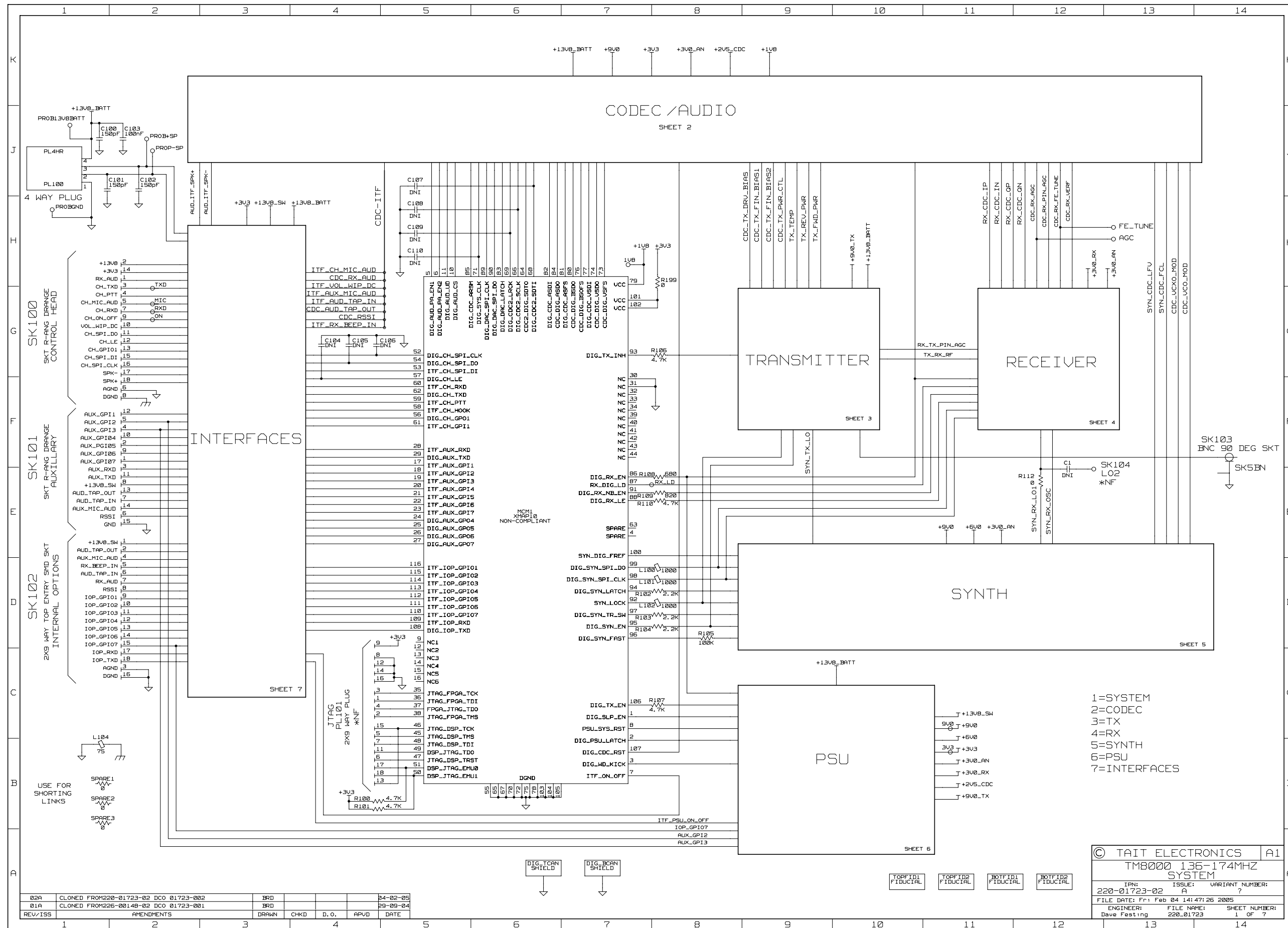
Ref	PCB	Circuit	Ref	PCB	Circuit	Ref	PCB	Circuit	Ref	PCB	Circuit	Ref	PCB	Circuit	Ref	PCB	Circuit	Ref	PCB	Circuit	Ref	PCB	Circuit
MIC	2:E1	1-G2	Q604	2:F2	6-C8	R246	2:K2	2-C13	R3523	1:J7	3-B5	R4022	2:D4	4-E11	R5021	1:G5	5-H13	R602	1:N6	6-B2	R756	2:R9	7-E11
NB_BOT	2:D3	4-A8	Q605	2:F3	6-D8	R247	2:K2	2-G7	R3524	1:J8	3-A5	R4023	2:D2	4-C12	R5023	1:G5	5-H12	R603	1:L9	6-D2	R757	2:P9	7-H11
ON	2:E1	1-G2	Q700	1:F1	7-C2	R249	1:K3	2-H8	R3525	1:J7	3-A4	R4024	2:D4	4-F12	R5024	2:G4	5-E13	R604	1:L10	6-D2	R758	2:P9	7-G11
PAD_TOP	1:J8	3-D13	Q701	1:G2	7-J3	R250	1:N7	2-D3	R3526	1:K8	3-D1	R4025	2:E4	4-E12	R5025	2:G4	5-E12	R605	2:N7	6-D3	R759	2:R9	7-F11
PAF_TOP	1:E8	3-D14			7-J2	R251	2:K2	2-J3	R3527	1:K8	3-D1	R4026	2:D2	4-C12	R5026	2:G4	5-D12	R607	1:L9	6-D2	R760	2:R9	7-E11
PIN_TOP	1:B3	3-D14	Q702	1:N9	7-H5	R252	1:R7	2-C5	R3530	1:B9	3-D14	R4027	2:C2	4-D12	R5027	2:G4	5-D11	R610	2:N7	6-D4	R761	2:N9	7-H11
PL100	2:K9	1-J1	Q703	2:N9	7-H11	R253	1:R7	2-C5	R3531	1:H7	3-C2	R4028	2:D2	4-C12	R5028	2:G5	5-C12	R611	1:G6	6-C4	R762	2:P9	7-F11
PL101	1:N1	1-D4			7-H10	R3015	1:G7	3-E4	R3535	1:K7	3-A5	R4029	2:E3	4-E12	R5029	1:J2	5-J1	R612	1:F6	6-C4	R763	2:R9	7-E11
		1-C4	Q704	2:P9	7-G10	R3016	1:G9	3-C4	R3536	1:K6	3-A6	R4029	1:C1	4-G3	R5030	2:G4	5-C13	R613	1:F6	6-C4	R764	2:R9	7-E11
		1-B4			7-G11	R3020	1:F7	3-E5	R3537	1:H7	3-C3	R4030	2:D3	4-F12	R5031	2:G5	5-B11	R614	1:N8	6-G4	R765	2:M9	7-K11
PROB13V8B	1:J9	1-J1	Q705	2:P9	7-F10	R3024	1:F9	3-C5	R3539	1:J7	3-A5	R4031	2:C2	4-C12	R503	1:K6	5-B2	R615	1:N8	6-F4	R766	2:M9	7-J11
ATT					7-F11	R3025	1:G6	3-A6	R353	2:D5	3-J5	R4032	2:D3	4-F13	R504	1:K5	5-B1	R616	1:N8	6-F4	R767	2:M9	7-J11
PROB+SP	1:K9	1-J2	Q706	2:R9	7-E10	R3027	1:G7	3-C6	R3540	1:B5	3-E12	R4033	2:D3	4-F13	R505	1:J2	5-J1	R617	1:N8	6-G5	R768	1:N9	7-H11
PROBGND	1:K9	1-H1			7-E11	R3028	1:F6	3-B6	R3541	1:B6	3-E12	R4034	2:C2	4-D13	R506	2:J4	5-C2	R619	2:N8	6-B6	R769	1:N9	7-J12
PROP-SP	1:L10	1-J2	Q707	1:P9	7-H12	R3029	1:F7	3-C7	R3542	1:R8	3-E13	R4035	2:E3	4-E13	R507	2:J4	5-E2	R620	2:J2	6-D6	R770	1:P9	7-G12
PWR	1:D4	3-J1	Q708	1:R9	7-J5	R3033	1:C4	3-D9	R3554	1:K8	3-D1	R4036	2:D3	4-E13	R508	1:G5	5-G8	R621	2:F3	6-D9	R771	1:P9	7-F12
Q200	1:N7	2-D2	Q709	2:N7	7-D3	R3034	1:C3	3-E10	R355	1:C9	3-F5	R4037	2:D2	4-C13	R509	1:J5	5-G2	R624	2:J2	6-D6	R772	1:R9	7-E12
		2-C3	QN	1:H2	4-B9	R3035	1:C4	3-D10	R357	2:D5	3-J6	R4038	2:D2	4-C13	R510	1:J6	5-G2	R626	2:D6	6-F7	R773	2:M9	7-K12
Q201	1:N7	2-D3	R100	1:L1	1-B4	R3036	1:C3	3-E10	R358	2:G10	3-G6	R4039	2:D2	4-C14	R511	2:J4	5-C2	R627	2:C6	6-F7	R774	2:M9	7-J12
Q202	2:K2	2-J3	R101	1:L1	1-B4	R3045	1:F7	3-C7	R359	2:G10	3-G6	R4039	1:J2	4-D1	R512	1:J5	5-G2	R628	2:F2	6-C7	R775	2:M9	7-J12
Q301	2:D5	3-A11	R102	1:K4	1-D8	R3046	1:F6	3-B7	R360	1:F7	3-C7	R4040	2:D2	4-B14	R513	1:K5	5-H2	R629	2:C6	6-F8	R776	2:N9	7-D11
Q302	2:D5	3-H3	R103	1:K5	1-D8	R3063	1:J9	3-D3	R361	1:F7	3-B7	R404	1:C1	4-H3	R514	1:K5	5-H2	R630	2:F2	6-D8	R777	2:N9	7-D11
		3-H2	R104	1:K5	1-D8	R3070	1:E4	3-H7	R362	1:D6	3-B8	R405	1:C1	4-G3	R515	1:K5	5-J2	R700	1:F1	7-E2	R778	1:N9	7-J12
Q304	2:D6	3-B9	R105	1:K5	1-D8	R3071	2:C5	3-B12	R363	1:E6	3-A8	R406	1:C2	4-J3	R516	2:E4	5-C9	R701	1:F1	7-D2	R779	1:P9	7-G12
Q305	2:E5	3-A9	R106	1:K4	1-G8	R3090	1:D4	3-G8	R364	1:E4	3-H7	R407	1:C2	4-H3	R517	1:K5	5-B3	R702	1:G1	7-J2	R780	1:P9	7-F12
Q306	1:J8	3-D3	R107	1:L6	1-C8	R3091	2:D4	3-B11	R365	1:E4	3-G7	R408	1:C2	4-H4	R518	2:K4	5-D3	R703	1:F2	7-D3	R781	1:R9	7-E12
Q307	2:D5	3-J5	R108	1:K3	1-E8	R311	1:E5	3-H2	R366	1:D6	3-B8	R409	1:D1	4-H4	R519	1:K4	5-J3	R704	1:H1	7-H2	R782	1:N9	7-J12
Q308	1:K10	3-G4	R109	1:K4	1-E8	R312	1:E5	3-H3	R367	1:E6	3-A8	R410	1:D2	4-J5	R520	1:J5	5-H3	R705	1:G1	7-J2	R783	1:P9	7-G12
Q309	1:E8	3-E5	R110	1:L4	1-E8	R313	1:E4	3-J2	R368	1:D6	3-C8	R411	1:D1	4-H5	R521	1:J4	5-H3	R706	1:F1	7-C2	R784	1:P9	7-F12
Q310	1:E9	3-D5	R112	2:E3	1-E12	R314	1:E4	3-J2	R369	1:E6	3-B8	R412	2:G3	4-C3	R522	1:J5	5-G3	R707	1:G1	7-J2	R785	1:R9	7-E12
Q311	2:H10	3-G5	R199	2:L6	1-H8	R315	1:D5	3-H1	R370	1:D6	3-C9	R413	2:G3	4-C3	R523	2:J4	5-C3	R708	1:G1	7-F2	R788	2:N7	7-D3
Q312	2:E6	3-A10	R200	1:N6	2-D2	R318	1:E5	3-G2	R371	1:E6	3-B9	R414	1:D1	4-H5	R524	1:K4	5-G4	R709	1:F1	7-C2	R789	2:P6	7-D3
Q313	2:D6	3-A9	R201	1:N7	2-D2	R321	1:D5	3-J2	R372	2:E5	3-A9	R415	1:D1	4-H5	R525	1:J5	5-J4	R710	1:F1	7-B2	R790	1:F2	7-B3
Q3501	1:H6	3-B1	R202	1:N7	2-C2	R322	1:E5	3-G2	R373	2:D4	3-C9	R416	2:G3	4-C4	R526	1:J4	5-H4	R711	1:G2	7-J2	R791	1:M9	7-C11
Q3502	1:J6	3-A3	R203	1:N7	2-D2	R323	1:D5	3-J3	R374	2:D5	3-B9	R417	2:F3	4-E4	R527	1:K4	5-F4	R712	1:F1	7-C2	R792	2:M9	7-B12
Q3504	1:J7	3-C4	R204	1:N7	2-D2	R324	1:J8	3-E2	R375	2:E5	3-A10	R418	2:G3	4-D4	R528	2:J5	5-E4	R713	1:G2	7-J3	RESET	1:L7	6-B2
Q3505	1:K7	3-A5	R205	1:N7	2-D3	R327	1:J8	3-E3	R376	2:D6	3-A9	R419	2:G3	4-D4	R529	1:J4	5-G4	R714	1:G1	7-J3	REVERSE_P	1:D4	3-B11
Q4000	2:C3	4-E8	R206	1:N7	2-D3	R328	1:J8	3-D2	R377	2:E4	3-B10	R420	2:H3	4-C4	R530	1:H6	5-B5	R715	1:F2	7-E3	WR		
Q4002	2:C4	4-F9	R207	2:K1	2-H3	R329	1:J8	3-D2	R378	2:D6	3-A9	R421	1:D1	4-J6	R531	2:J5	5-E4	R716	1:F2	7-D3	RXD	2:E1	1-G2
		4-F10	R208	2:K1	2-G3	R331	1:D5	3-J3	R379	1:C4	3-F9	R422	1:D1	4-H6	R532	1:J4	5-H5	R717	2:P6	7-C2	RX_LD	1:L4	1-E7
Q4003	2:E4	4-E12	R209	2:K2	2-J3	R333	1:E5	3-H3	R380	1:C5	3-E9	R423	1:E1	4-H7	R533	1:K6	5-B1	R718	2:P6	7-C3	SET_PWR	1:E5	3-F2
Q4004	2:D3	4-F13	R210	1:N7	2-C3	R334	1:D5	3-J4	R381	2:E6	3-A9	R424	1:E3	4-H10	R534	2:J4	5-E5	R719	1:R9	7-K5	SK100	2:G1	1-F2
		4-F12	R211	2:N6	2-F3	R335	2:D6	3-G1	R382	1:C4	3-F9	R425	1:G3	4-D8	R535	2:J4	5-E5	R720	1:P9	7-J5			1-H2
Q4005	2:D2	4-C11	R212	2:K1	2-G3	R336	1:E5	3-H4	R385	1:C4	3-C11	R426	2:H3	4-C8	R536	1:K4	5-G5	R721	1:N9	7-J5			1-G2
		4-C12	R213	1:N6	2-C3	R337	1:D4	3-J7	R386	1:C3	3-D11	R427	2:H2	4-C8	R537	1:H6	5-B4	R722	1:N9	7-J5	SK101	2:P10	1-E2
Q4006	2:C3	4-C13	R214	1:N6	2-E3	R338	1:H9	3-F3	R387	1:C4	3-C11	R428	1:G3	4-D8	R538	1:J4	5-H5	R723	2:M7	7-J7			1-F2
Q4007	2:D2	4-D13	R215	1:N6	2-E3	R339	1:K10	3-G3	R388	2:D5	3-A11	R429	1:G3	4-D8	R539	1:J4	5-H6	R724	2:M7	7-J7	SK102	1:M8	1-D2
		4-C13	R216	2:K1	2-G4	R340	1:D4	3-G7	R389	2:C5	3-F10	R430	1:H2	4-B9	R540	1:J4	5-A6	R725	2:M7	7-H7			1-E2
Q400	1:C2	4-H4	R217	2:M6	2-E4	R341	2:D4	3-B12	R390	2:C5	3-F10	R431	2:H3	4-C9	R541	1:J6	5-F6	R726	2:M7	7-H7			1-C2
		4-H3	R218	2:K3	2-F4	R342	1:E4	3-H4	R391	2:E5	3-A12	R432	2:H3	4-C9	R542	1:H5	5-F7	R727	2:M7	7-G7			1-F14
Q401	1:D1	4-H5	R219	2:K1	2-H4	R343	1:H9	3-E3	R392	2:C5	3-B12	R433	1:F3	4-H13	R543	2:H5	5-E8	R728	2:M8	7-G7	SK103	2:B10	1-F14
Q402	2:F3	4-E4	R220	2:K2	2-G4	R344	1:J10	3-G4	R393	2:D5	3-B13	R434	1:F3	4-J13	R544	1:H5	5-J7	R729	2:M8	7-F7	SPARE1	1:K7	1-B1
Q403	2:G3	4-D4	R221	2:K2	2-H5	R345	1:E4	3-G4	R394	1:E7	3-J9	R435	1:F3	4-J14	R545	2:H5	5-E7	R730	2:M7	7-E7	SPARE2	1:K7	1-B1
Q404	1:F2	4-H13	R222	1:K2	2-G5	R346	1:J10	3-G4	R396	2:C4	3-H5	R436	1:F2	4-H14	R546	2:H5	5-E7	R731	2:M7	7-J8	SPARE3	1:K6	1-B1
Q405	2:D2	4-J1	R223	1:K2	2-G5	R347	1:D4	3-H5	R397	2:C5	3-B12	R437	2:C2	4-J2	R547	1:H5	5-F7	R732	2:M7	7-H8	SYN_BOT	2:H5	5-A11
		4-H1	R224	2:K2	2-H6	R3501	1:G6	3-C1	R398	2:D6	3-A9	R438	2:D1	4-J2	R548	1:H5	5-J8	R733	2:M7	7-H8	SYN_TOP	1:G5	5-A11
Q5000	2:F5	5-C7	R225	2:J1	2-E5	R3502	1:G6	3-C1	R399	2:D5	3-A11	R4501	2:D3	4-F8	R549	1:G5	5-J8	R734	2:M7	7-G8	T400	1:D3	4-H8
Q5001	2:F5	5-B10	R226	1:J3	2-F7	R3503	1:G7	3-C1	R4000	2:B2	4-F8	R5000	2:F5	5-D7	R550	1:H5	5-G8	R735	2:M7	7-G8	T401	1:E3	4-H10
Q5002	2:G4	5-D12	R227	1:J2	2-F7	R3504	1:H6	3-C1	R4001	2:C3	4-E8	R5001	2:F5	5-C7	R551	1:H5	5-G8	R736	2:M8	7-F8	TOPFID2	1:P1	1-A11
Q5003	2:F4	5-D13	R228	2:J1	2-E4	R3505	1:H7	3-C1	R4002	2:C3	4-E8	R5002	2:F6	5-D7	R552	1:H5	5-G8	R737	2:M8	7-F8	TOPFID1	1:A10	1-A10
Q5004	1:G5	5																					

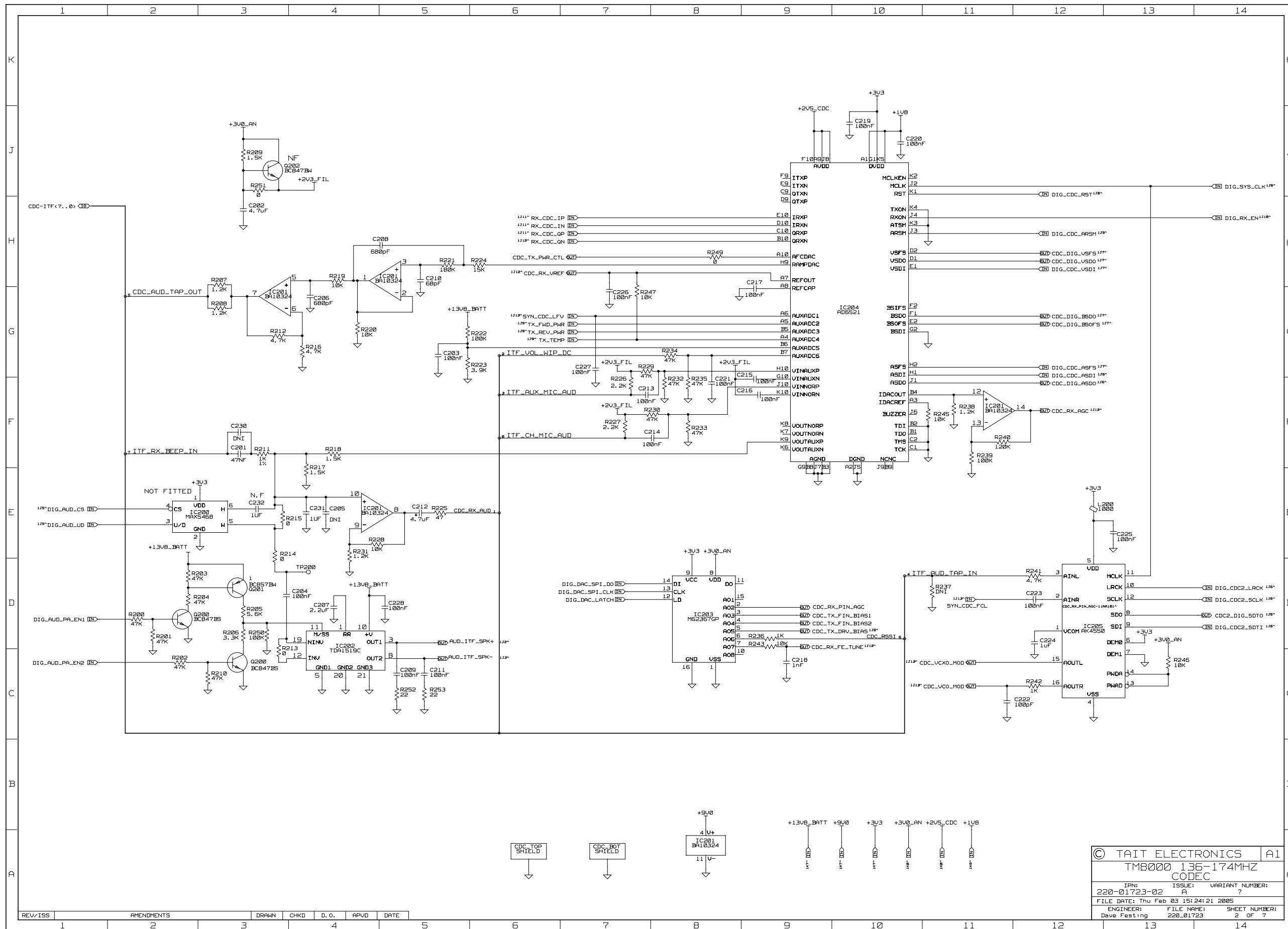


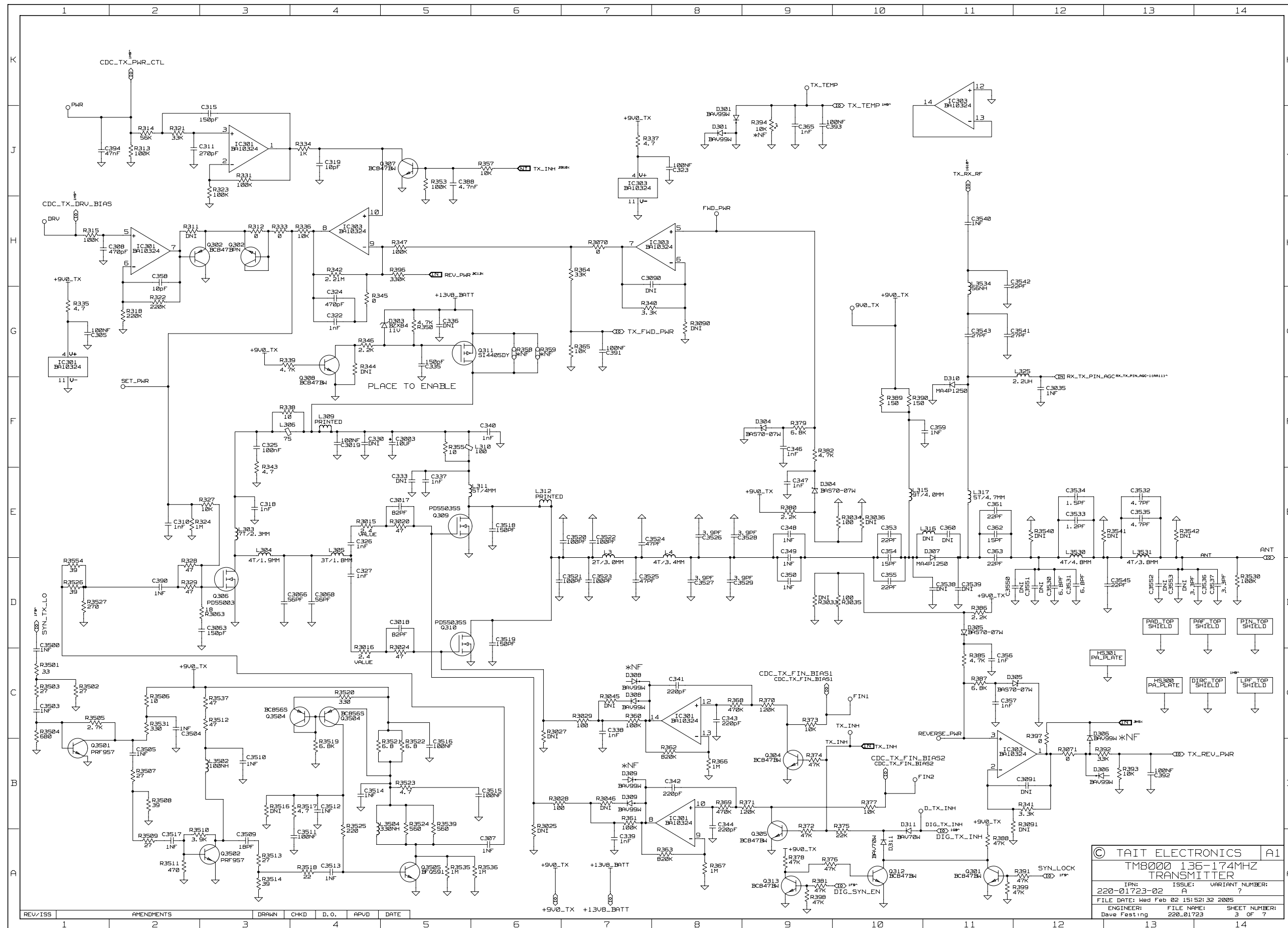
TAIT ELECTRONICS	IPN: 220-01723-02	ISS: A	DATE: 2Feb05	SCALE: NTS
TMH8000 VHF 136-174MHZ MAIN BOARD LAYOUT-PRIMARY-SIDE				

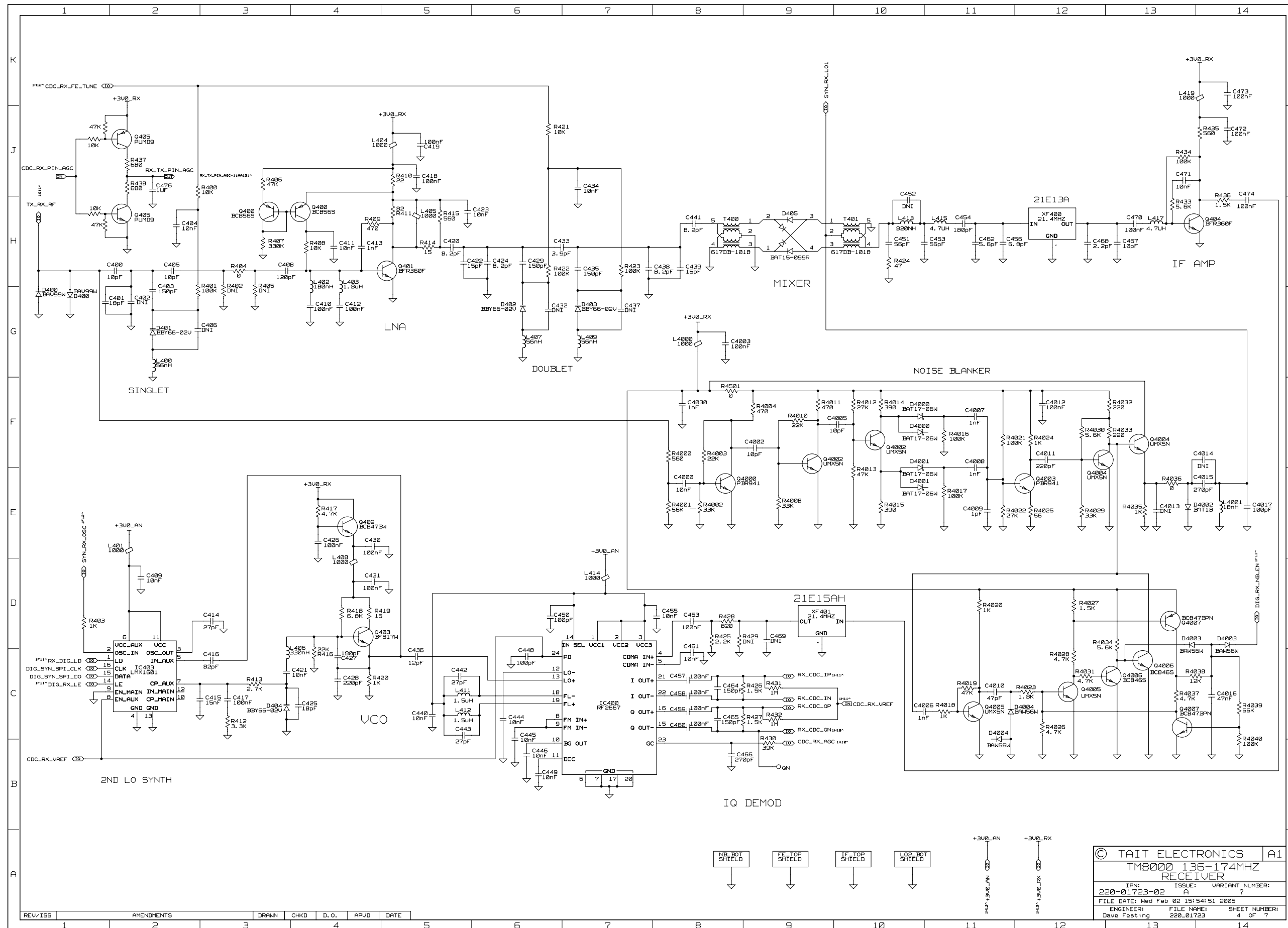


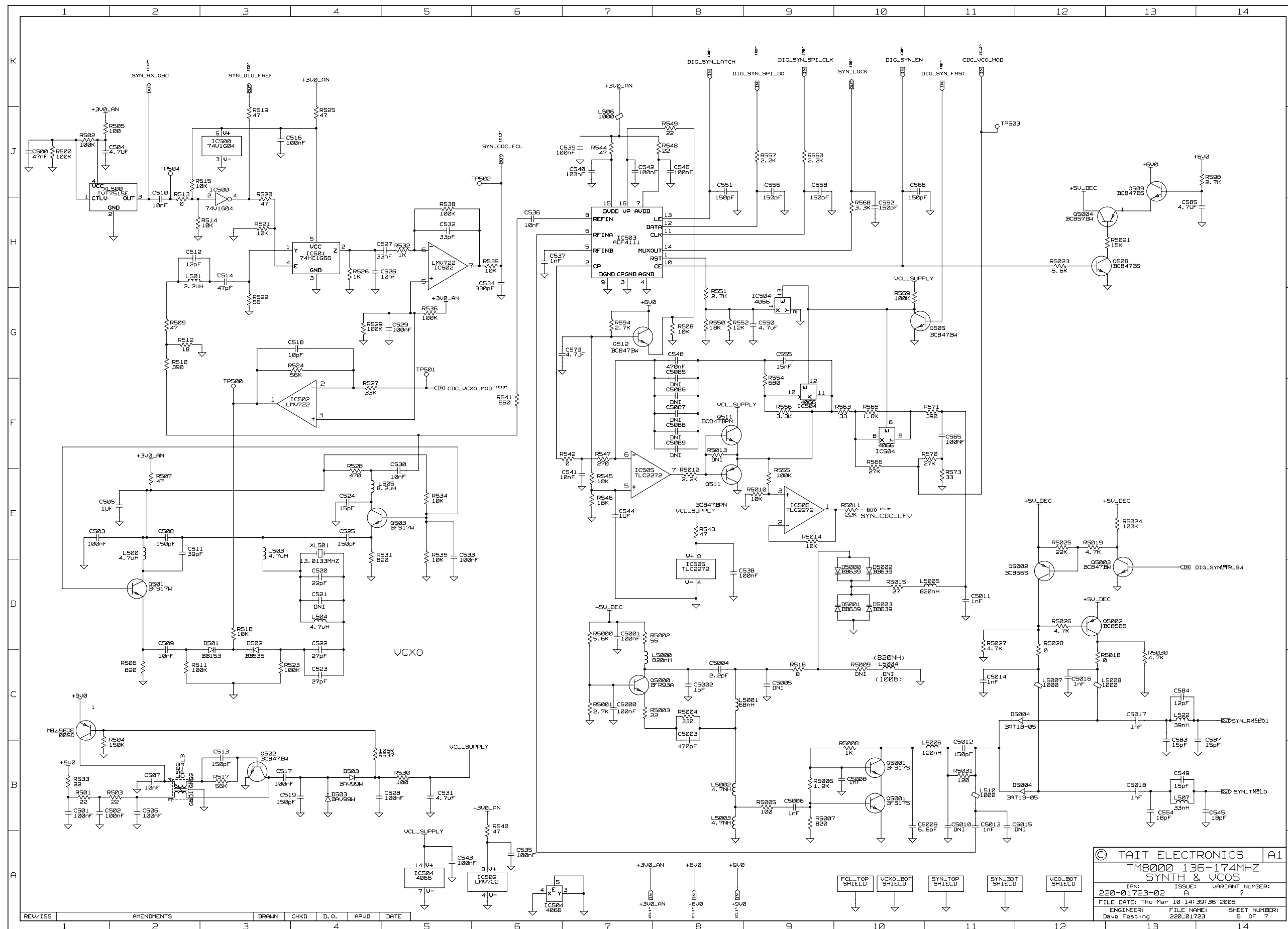
TAIT ELECTRONICS IPN: 220-01723-02 ISS: A DATE: 2Feb05 SCALE: NTS
 TMH8000 VHF 136-174MHZ MAIN BOARD LAYOUT-SECONDARY-SIDE



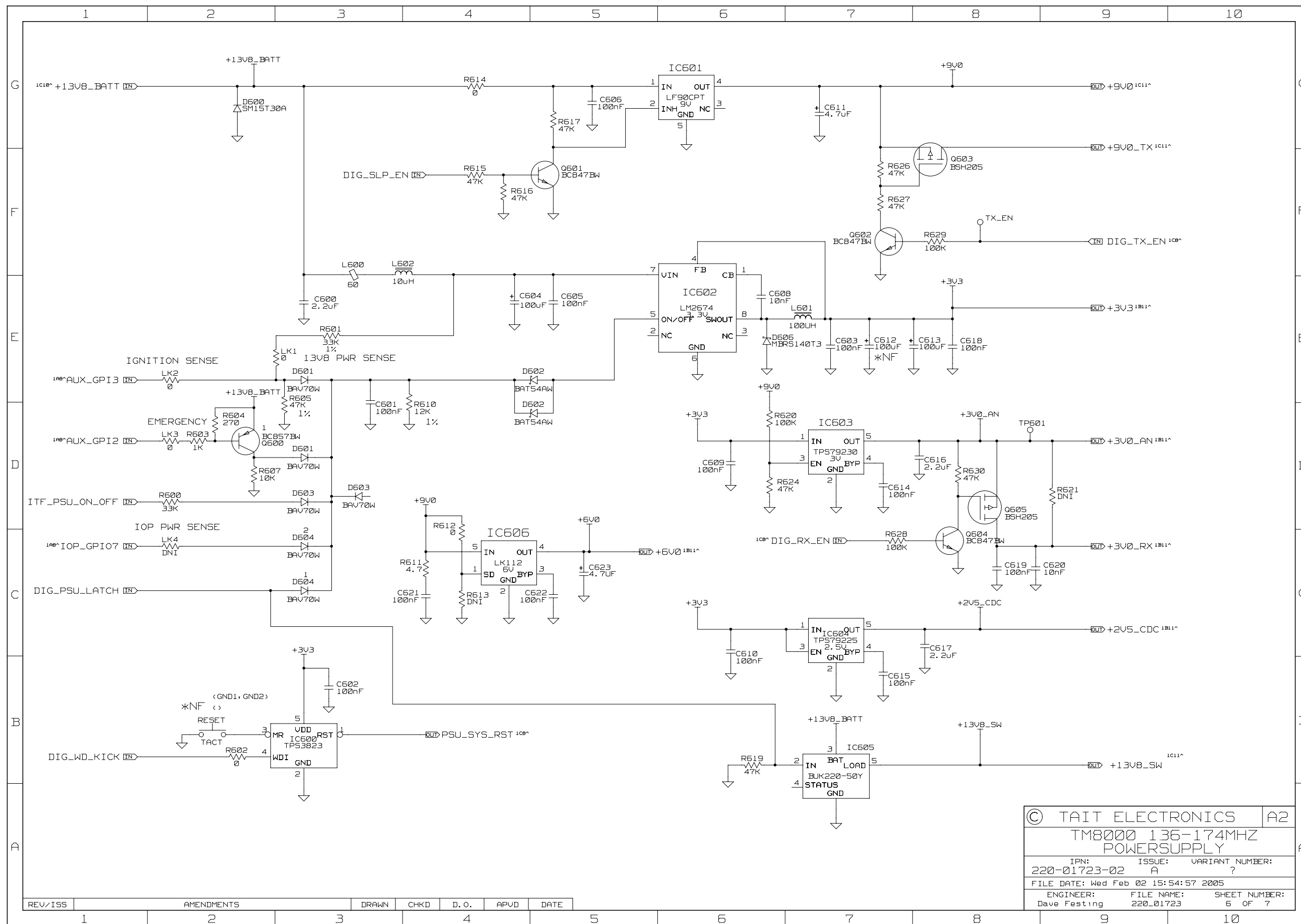






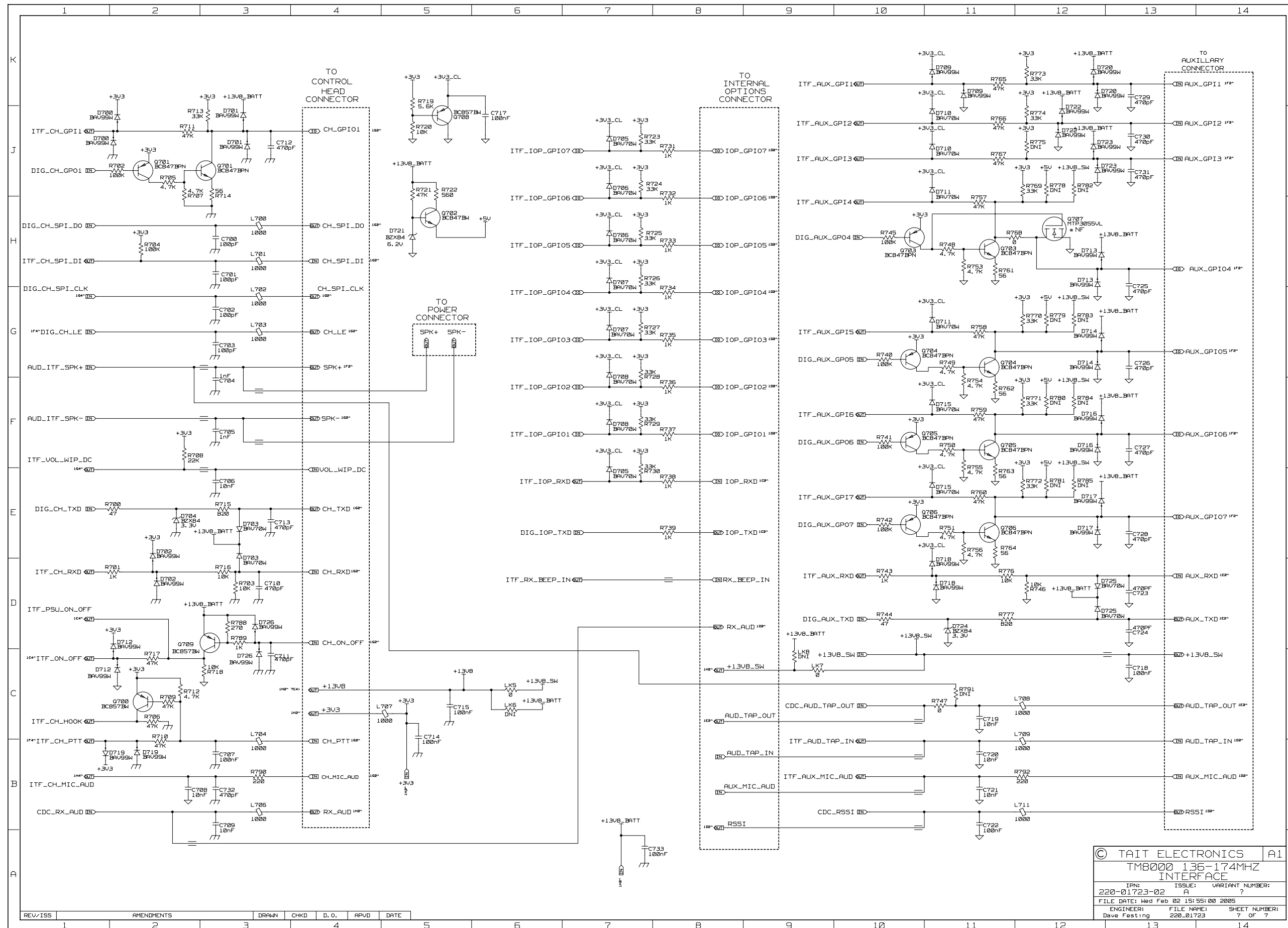


© TAIT ELECTRONICS		A1
TM8000 136-174MHz SYNTH & UCOS		
IPN: 220-01723-02	ISSUE: A	VARIANT NUMBER: ?
FILE DATE: Thu Mar 10 14:39:36 2005	ENGINEER: Dave Festing	FILE NAME: 220_01723
		SHEET NUMBER: 5 OF 7



© TAIT ELECTRONICS		A2
TM8000 136-174MHZ POWERSUPPLY		
IPN: 220-01723-02	ISSUE: A	VARIANT NUMBER: ?
FILE DATE: Wed Feb 02 15:54:57 2005		
ENGINEER: Dave Festing	FILE NAME: 220_01723	SHEET NUMBER: 6 OF 7

REV/ISS	AMENDMENTS	DRAWN	CHKD	D. O.	APVD	DATE
1						



© TAIT ELECTRONICS		A1
TMB000 136-174MHZ INTERFACE		
IPN: 220-01723-02	ISSUE: A	VARIANT NUMBER: ?
FILE DATE: Wed Feb 02 15:55:00 2005	ENGINEER: Dave Festing	FILE NAME: 220_01723
		SHEET NUMBER: 7 OF 7